

## General

---

### Minimum order quantity

1 on standard color

### Return policy

Order cancellation permitted before product ships subject to \$75-100 re-stocking fee per product.  
Once product ships no returns unless covered by warranty.

### Charging times

You can charge 3 Qpacs per Q-dock in 9-11 hours.  
ReCharge has 4 Q-docks combined allowing up to 12 Qpacs to be charged in 9-11 hours.

### Materials for charging base

Powder coated steel frame with high strength fire retardant polycarbonate Qpac charging shoes.

### Materials for furniture

Laminated panels with a steel sheet inlay in the top.

### Materials for caster

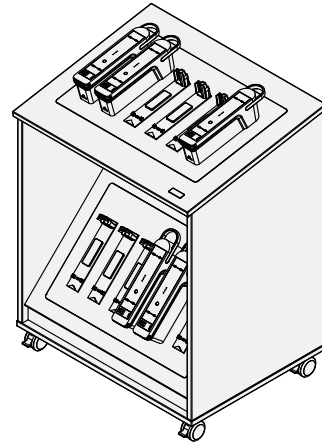
Sure grip fiberglass and injection moulded polypropylene and steel adjustment thread.

### Quality testing

All ReCharge charger bases are manufactured using ISO9001 quality controlled components and practices and are 100% tested before dispatch.

### Transportation

UN38.3 certified



## Cabinet finish

---



North Sea  
(NS)

POA for custom cabinet finishes

### Tier 1 top finishes\*

---



Designer White  
DW



Kensington  
Maple



Pewter Brush  
PB



Titanium Ev  
TE



Wild Cherry  
WC

### Tier 3 top finishes\*

---



Whiteboard



Wilsonart  
premium



Formica



Pionite



Nevamar

### Tier 2 top finishes\*

---



Black  
BL



White Tigris  
WT



Fusion Maple  
FM



Misted Zephyr  
MZ



Dove Grey  
DG



Bannister Oak  
BO



Fonhill Pear  
FP



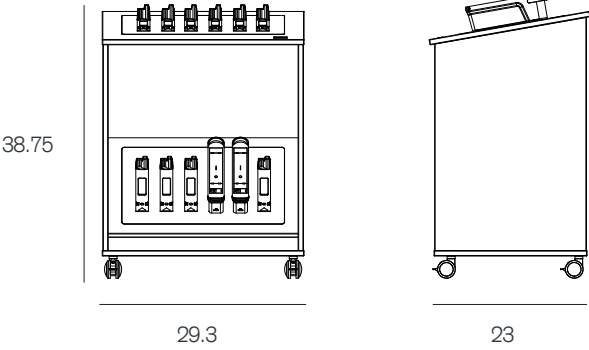
Hibiscus Cherry  
HC



Graphite Nebula  
GN

Dimensions

---



Measurements excluding battery

Contact info

---

[sales@muzo-works.com](mailto:sales@muzo-works.com)

360 Kiwanis Blvd,  
West Hazleton, PA 18202

(570) 788 0888

[muzo-works.com](http://muzo-works.com)