

General

Minimum order quantity

1 on standard color

Return policy

Order cancellation permitted before product ships subject to \$75-100 re-stocking fee per product.
Once product ships no returns unless covered by warranty.

Charging times

You can charge 3 Qpacs per Q-dock in 9-11 hours.
ReCharge has 4 Q-docks combined allowing up to 12 Qpacs to be charged in 9-11 hours.

Materials for charging base

Powder coated steel frame with high strength fire retardant polycarbonate Qpac charging shoes.

Materials for furniture

Laminated panels with a steel sheet inlay in the top.

Materials for caster

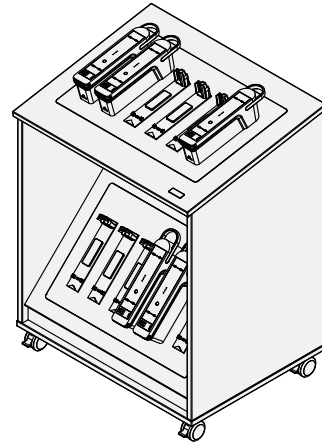
Sure grip fiberglass and injection moulded polypropylene and steel adjustment thread.

Quality testing

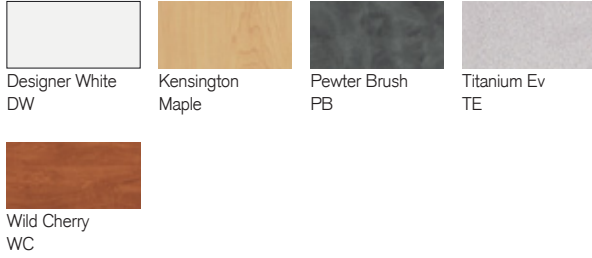
All ReCharge charger bases are manufactured using ISO9001 quality controlled components and practices and are 100% tested before dispatch.

Transportation

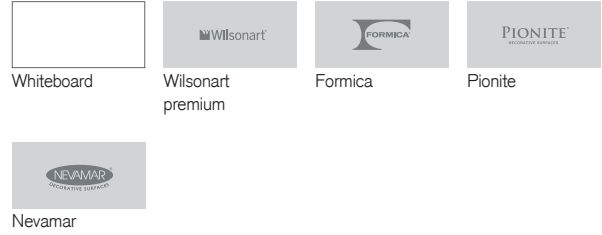
UN38.3 certified



Tier 1 top finishes



Tier 3 top finishes*

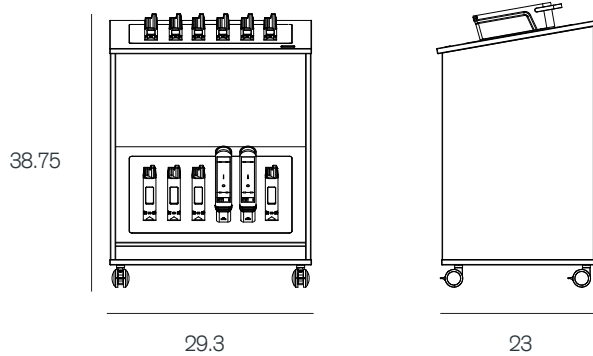


Tier 2 top finishes*



Tier 2 & Tier 3 Tops POA subject to qty

Dimensions



Measurements excluding battery

Contact info

sales@muzo-works.com

360 Kiwanis Blvd,
West Hazleton, PA 18202

(570) 788 0888

muzo-works.com