

# **muzo**

## A-Frame Demountable

### General

---

#### **Uses**

Inside: Canteens, Breakout areas, Cafés

Outside: Terraces, Public Spaces, Cafés, Office Breakout Areas, Dining areas

#### **Warranty**

5 years

#### **Return policy**

Full payment will still be required for orders cancelled after 7 days.

#### **Materials**

Aluminum (long life)

#### **Code**

AFRAME/D/1/ 6 seater

#### **Options**

Bolt-down brackets available

Parasol hole (50mm dia)

Any RAL Classic colors

#### **Environmental**

FISP accredited

100% Recyclable

Durable materials

86% Recycled aluminum

Economical to re-paint

#### **Installation**

Check on access to ensure this one piece product can be installed without difficulty.



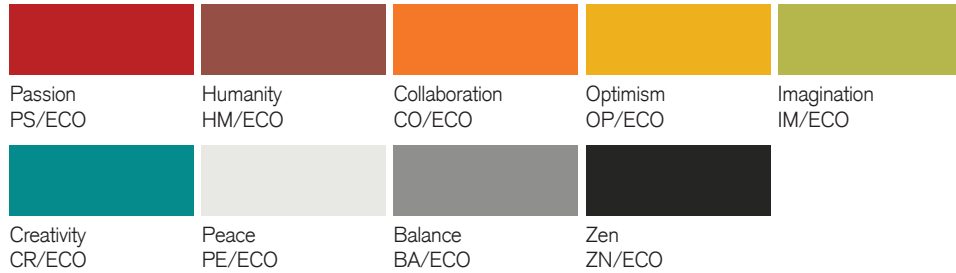
# muzo

## A-Frame Demountable

### Finishes

---

Muzo Eco  
Powder coat

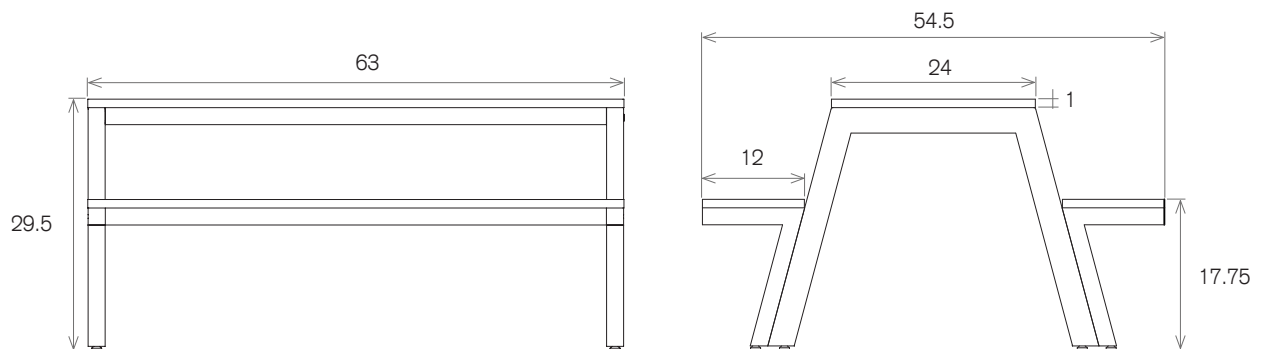


\*RAL colors available as special request

### Dimensions

---

Weight: 65 kg



**muzo**  
A-Frame Demountable

Contact info

---

Inquiries

[hello@muzo-works.com](mailto:hello@muzo-works.com)

Purchase orders

[sales@muzo-works.com](mailto:sales@muzo-works.com)

360 Kiwanis Blvd,  
West Hazleton, PA 18202

(800) 670-2578

[muzo-works.com](http://muzo-works.com)