

General

Uses

Offices | Educational | Canteens | Terraces | Gardens

Warranty

Twenty year structural warranty & no rust warranty.

Return policy

Full payment will still be required for orders cancelled after 7 days.

Materials

Aluminum for long-life, will not rust.

Options

Any RAL Classic colors.

In-leg weight or bolt-down brackets available.

Environmental

FISP accredited

100% recyclable

Durable materials

86% recycled aluminium

Economical to re-paint

Anti-bacterial and volatile-organic-compound (VOC) free.

Installation

Table delivered disassembled.

Benches delivered assembled.

Full assembly instructions provided.

Table flat packs for easy access to tight spaces.

Features

Fine texture powder-coat resilient to wear and tear

Low-glare surface reflection

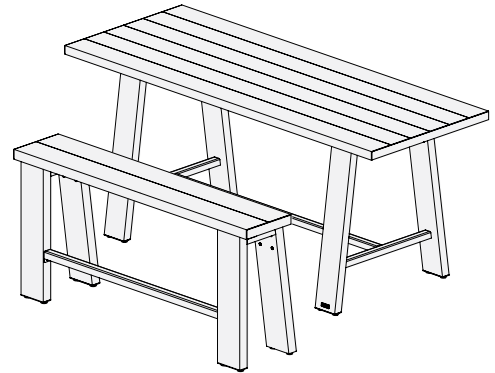
In-leg weight or bolt-down brackets available

Flush undersides avoid wind uplift

Completely sealed construction

Minimal maintenance, easily cleaned

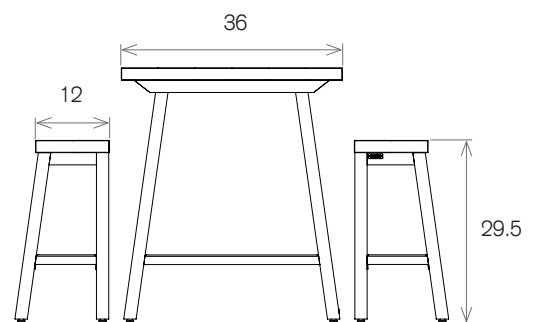
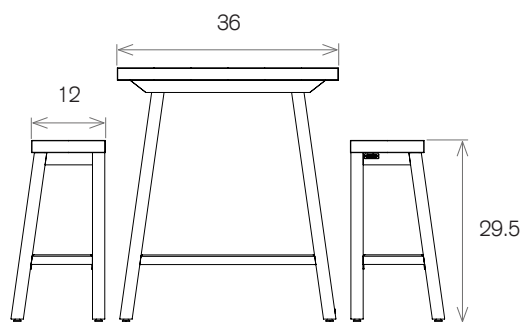
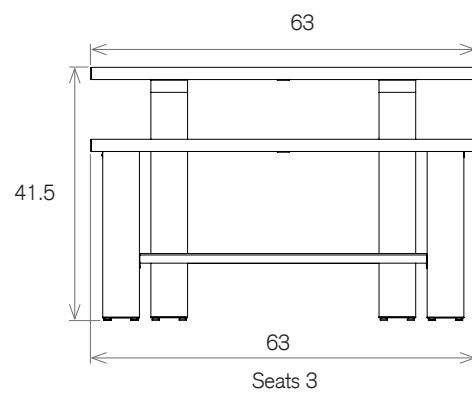
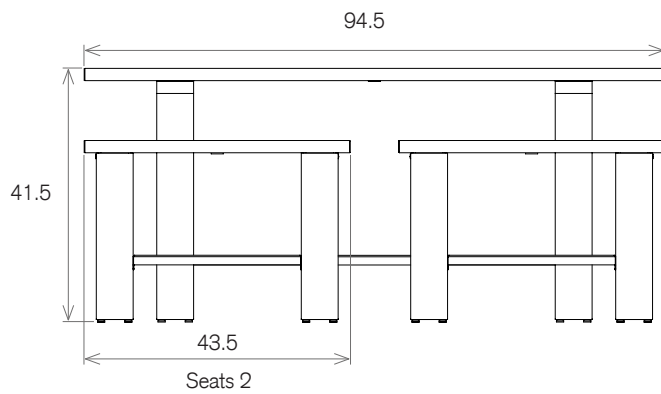
8 standard colors



Dimensions & Weight

Table	Width	Depth	Height	Weight
TALLTRESTLE/6	63"	36"	41.5"	89 lbs
TALLTRESTLE/12	94.5"	36"	41.5"	166 lbs

Bench	Width	Depth	Height	Weight
TALLTRESTLE/B2	43.5"	12"	29.5"	33 lbs
TALLTRESTLE/B3	63"	12"	29.5"	40 lbs



Finishes

Frame
Powder coat

			
Sable BS 04-B-21	Oxide Red RAL 3009	Cream RAL 9001	Agate Gray RAL 7038
			
Light Blue BS 18-C-35	Black RAL 9004	Bronze	Gunmetal

Contact info

Inquiries

hello@muzo-works.com

Purchase orders

sales@muzo-works.com

360 Kiwanis Blvd,
West Hazleton, PA 18202

(800) 670-2578

muzo-works.com