

General

Uses

Offices | Educational | Canteens | Terraces | Gardens

Warranty

Twenty year structural warranty & no rust warranty.

Return policy

Full payment will still be required for orders cancelled after 7 days.

Materials

Aluminum

Code

TRESTLE/1/	63" wide
TRESTLE/2/	94.5" wide
TRESTLE/BENCH/1	43.5" wide
TRESTLE/BENCH/2	63" wide

Options

Any RAL Classic colors.

Bolt Down and weighted legs options are available.

Environmental

FISP accredited

100% recyclable

Durable materials

86% recycled aluminium

Economical to re-paint

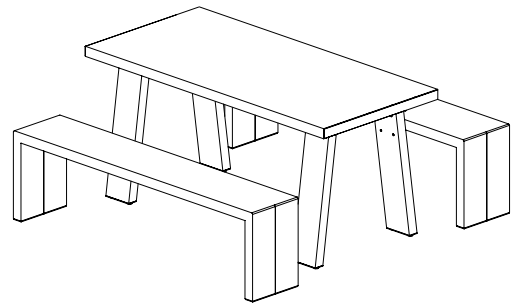
Installation

Table delivered disassembled.

Benches delivered assembled.

Full assembly instructions provided.

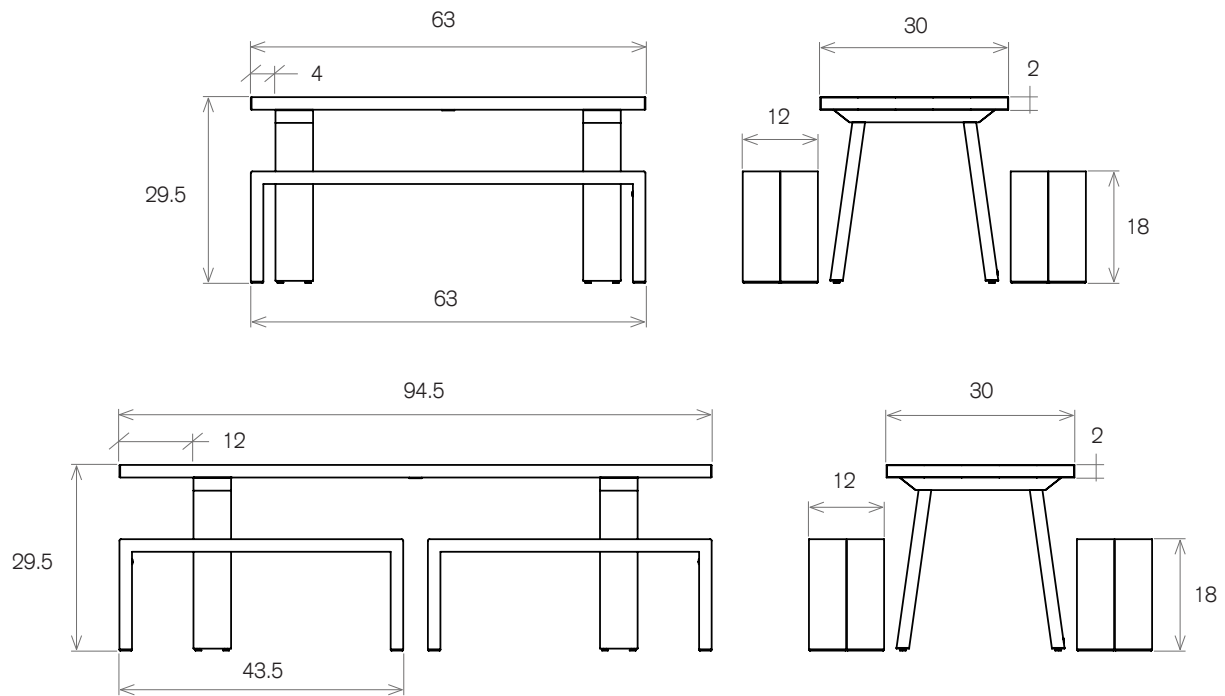
Table flat packs for easy access to tight spaces.



Dimensions & Weight







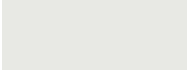


Table	Width	Depth	Height	Weight
TRESTLE/1	63"	30"	29.5"	89 lbs
TRESTLE/2	94.5"	30"	29.5"	166 lbs

Bench	Width	Depth	Height	Weight
TRESTLE/BENCH/1	43.5"	12"	18"	33 lbs
TRESTLE/BENCH/2	63"	12"	18"	40 lbs



Finishes

Muzo Eco
Powder coat

				
Passion PS/ECO	Humanity HM/ECO	Collaboration CO/ECO	Optimism OP/ECO	Imagination IM/ECO
				
Creativity CR/ECO	Peace PE/ECO	Balance BA/ECO	Zen ZN/ECO	

*RAL colors available as special request

Contact info

Inquiries

hello@muzo-works.com

Purchase orders

sales@muzo-works.com

360 Kiwanis Blvd,
West Hazleton, PA 18202

(800) 670-2578

muzo-works.com