

## General

---

### Uses

Offices | Educational | Canteens | Terraces | Gardens

### Warranty

Twenty year structural warranty & no rust warranty.

### Return policy

Full payment will still be required for orders cancelled after 7 days.

### Materials

Aluminum for long-life, will not rust.

### Options

Any RAL Classic colors.

In-leg weight or bolt-down brackets available.

### Environmental

FISP accredited

100% recyclable

Durable materials

86% recycled aluminium

Economical to re-paint

Anti-bacterial and volatile-organic-compound (VOC) free.

### Installation

Table delivered disassembled.

Benches delivered assembled.

Full assembly instructions provided.

Table flat packs for easy access to tight spaces.

### Features

Fine texture powder-coat resilient to wear and tear

Low-glare surface reflection

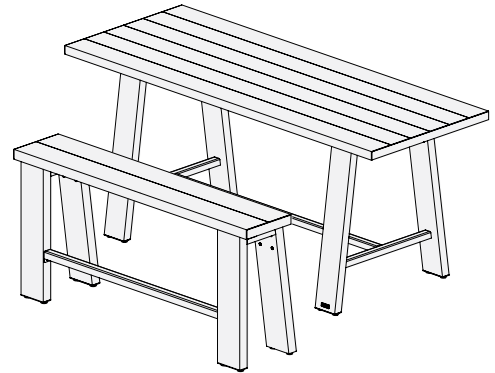
In-leg weight or bolt-down brackets available

Flush undersides avoid wind uplift

Completely sealed construction

Minimal maintenance, easily cleaned

8 standard colors



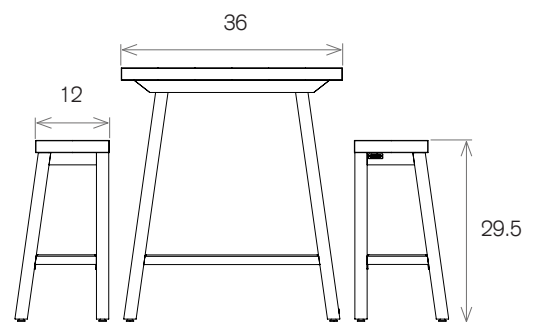
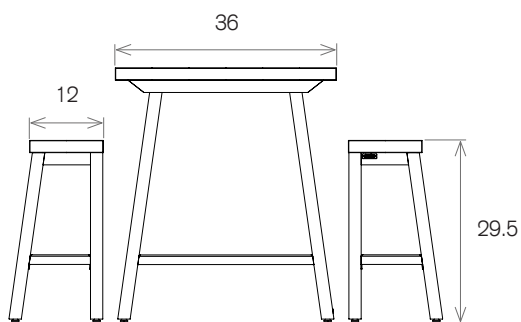
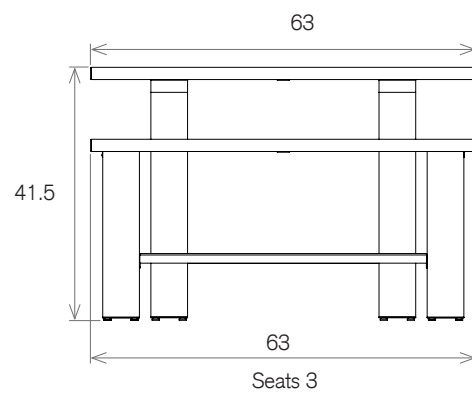
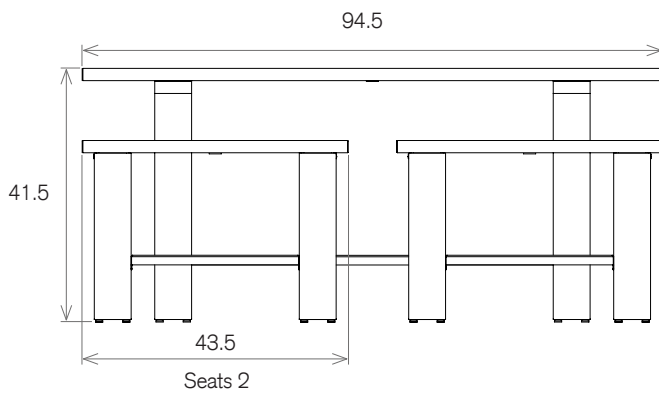
**muzo**  
Tall Trestle

Dimensions & Weight

Table	Width	Depth	Height	Weight
TALLTRESTLE/6	63"	36"	41.5"	89 lbs
TALLTRESTLE/12	94.5"	36"	41.5"	166 lbs






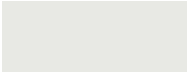


Bench	Width	Depth	Height	Weight
TALLTRESTLE/B2	43.5"	12"	29.5"	33 lbs
TALLTRESTLE/B3	63"	12"	29.5"	40 lbs



Finishes

---

Muzo Eco  
Powder coat

				
Passion PS/ECO	Humanity HM/ECO	Collaboration CO/ECO	Optimism OP/ECO	Imagination IM/ECO
				
Creativity CR/ECO	Peace PE/ECO	Balance BA/ECO	Zen ZN/ECO	

\*RAL colors available as special request

Contact info

---

Inquiries

[hello@muzo-works.com](mailto:hello@muzo-works.com)

Purchase orders

[sales@muzo-works.com](mailto:sales@muzo-works.com)

360 Kiwanis Blvd,  
West Hazleton, PA 18202

(800) 670-2578

[muzo-works.com](http://muzo-works.com)