

General

Uses

Inside: Canteens, Classrooms, Breakout areas, Cafés

Outside: Terraces, Public Spaces, Cafés, Office Breakout Areas

Warranty

5 years

Return policy

Full payment will still be required for orders cancelled after 7 days.

Materials

Frame: Brushed Stainless Steel with a finger-print & stain resistant coating

Surfaces: FSC European Birch Ply or Solid Iroko slats unfinished

Code

ALMINI/3/ (Three seater)

ALMINI/6/ (Six seater)

Options

Bolt-down brackets

Parasol hole (interchangeable pentral plug allows for concealable parasol hole)

Non-standard RAL colors

Environmental

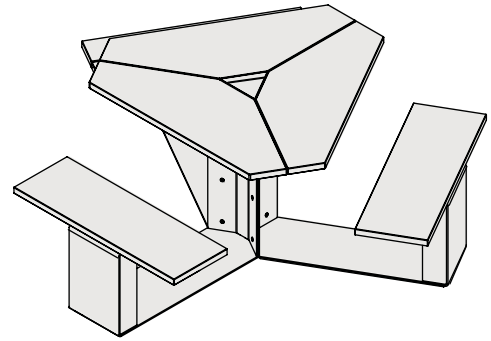
British manufacture

FISP accredited

Demountable for re-use or recycling

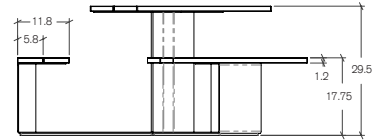
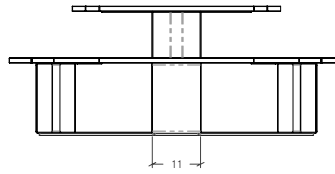
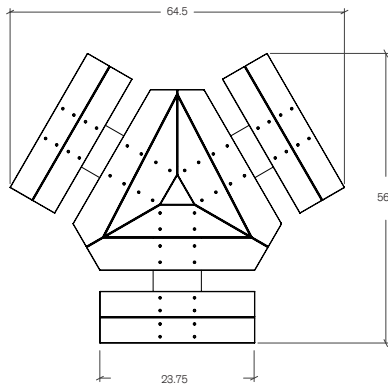
60% Recycled stainless steel

FSC Timber



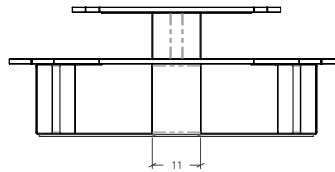
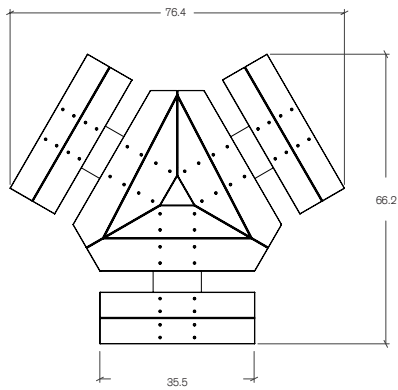
3 seater dimensions

Weight: 347 lb



6 seater dimensions

Weight: 408 lb



Finishes

Outdoor top



Solid Iroko

Frame



Brushed stainless steel

Muzo Eco
Powder coat



Passion
PS/ECO



Humanity
HM/ECO



Collaboration
CO/ECO



Optimism
OP/ECO



Imagination
IM/ECO



Creativity
CR/ECO



Peace
PE/ECO



Balance
BA/ECO



Zen
ZN/ECO

Packaging information

Packaging varies according to the nature of the order size, this means we use packaging in the most effective and eco-friendly way.

Contact info

Inquiries

hello@muzo-works.com

Purchase orders

sales@muzo-works.com

360 Kiwanis Blvd,
West Hazleton, PA 18202

(800) 670-2578

muzo-works.com