

General

Uses

Residential | Canteens | Terraces | Gardens

Warranty

5 years

Return policy

Full payment will still be required for orders cancelled after 7 days.

Materials

Polyester powder-coated aluminum.

Code

Linear/	Table
Linear/Bench1/	Bench
Linear/Bench2/	Bench with back support

Options

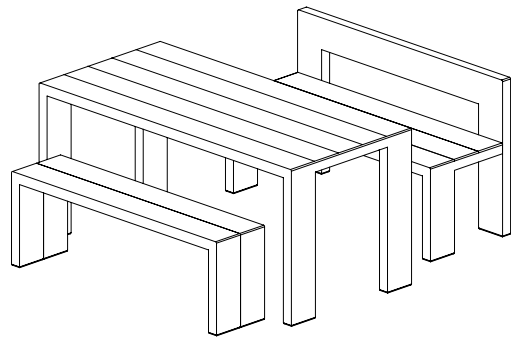
RAL Non-standard colours.
In-frame weighting.

Environmental

FISP accredited
100% recyclable
Durable materials

Installation

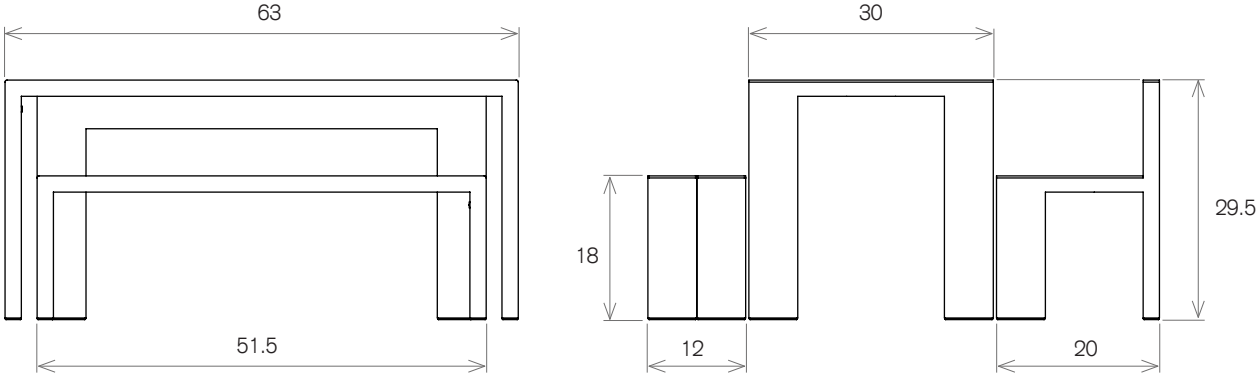
Assembly is not required for this product.
Check access to ensure this one piece product can be installed without difficulty.
Please be careful when removing wrapping to avoid sharp implements damaging the surface.



Dimensions & Weight

Table	Width	Depth	Height	Weight
Linear/	63"	30"	29.5"	88 lbs

Bench	Width	Depth	Height	Weight
Linear/Bench1/	51.5"	12"	18"	44 lbs
Linear/Bench2/	51.5"	20"	29.5"	57lbs



Seats 3

Finishes

Frame
Powder coat

			
Sable BS 04-B-21	Oxide Red RAL 3009	Cream RAL 9001	Agate Gray RAL 7038
			
Light Blue BS 18-C-35	Black RAL 9004	Bronze	Gunmetal

Contact info

Inquiries

hello@muzo-works.com

Purchase orders

sales@muzo-works.com

360 Kiwanis Blvd,
West Hazleton, PA 18202

(800) 670-2578

muzo-works.com