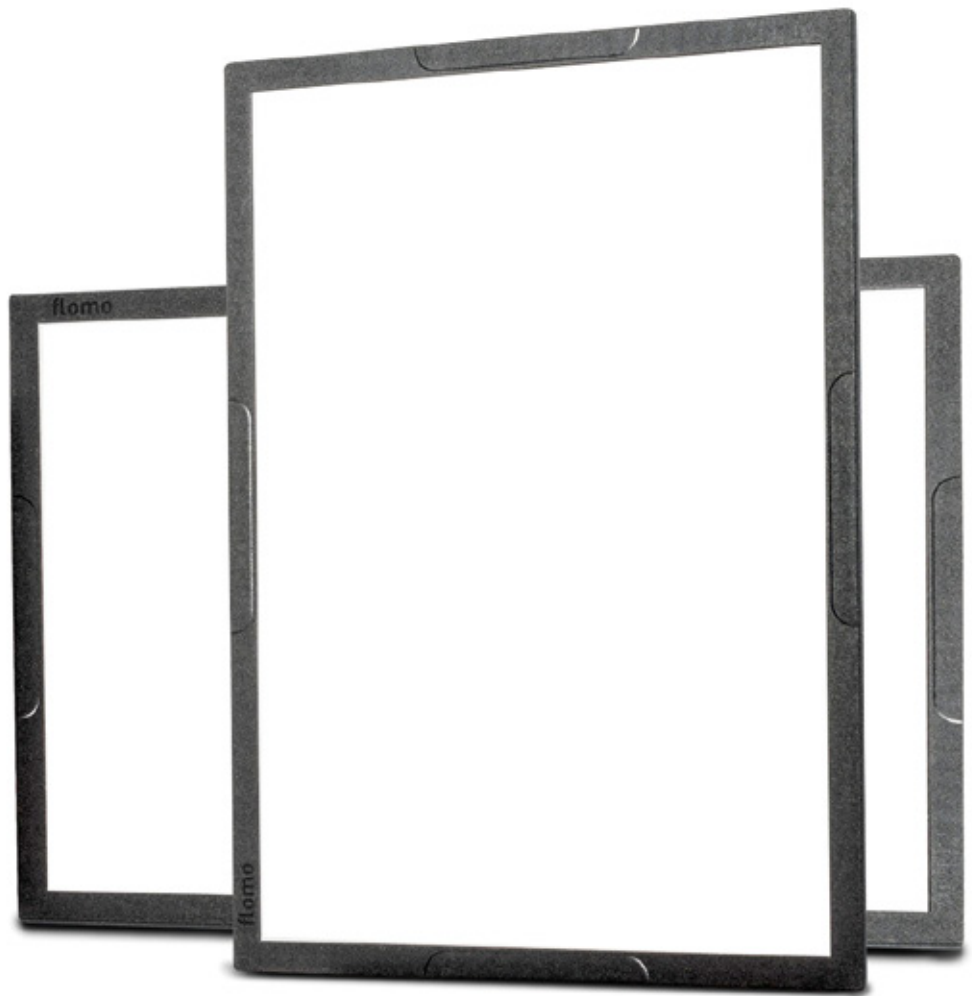


Flomo muzo



Highly magnetic, lightweight, mobile, robust and multifunctional. The flomo board combines the functionalities of a writing board, a notebook, a sketchbook, a pinboard and a post-it note in a single product. The generous writing surface made of high-quality, enamelled sheet steel in DIN A0 format offers enough space for ideas and drawings - be it directly with a Dry Erase Pen or by attaching paper using the magnetic surface.

Product features

- Scratch resistant dry-wipe surface
- Highly magnetic surface
- Durable anti-shock construction
- Super-light (13 lbs)
- None slip, extra grip frame surface

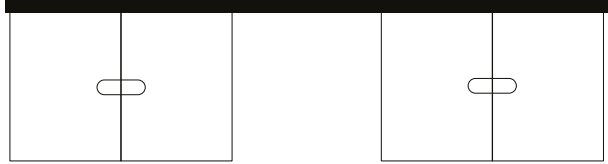




Flomo table heights!

Combine Flomo with Xbrick to make a variety of different height table settings in seconds.

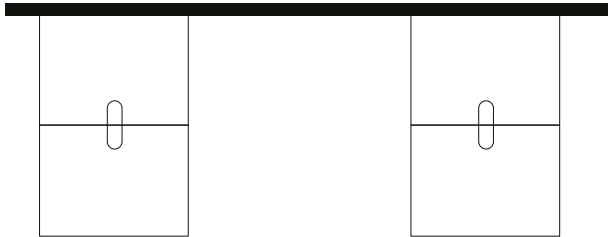
11.5 high



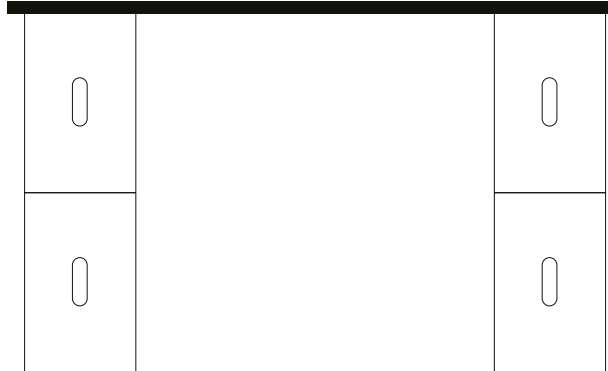
14.75 high



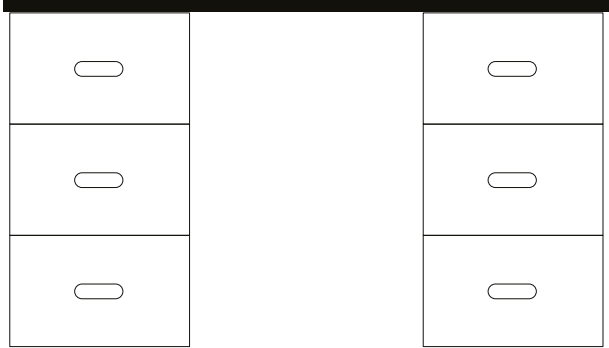
21.5 high



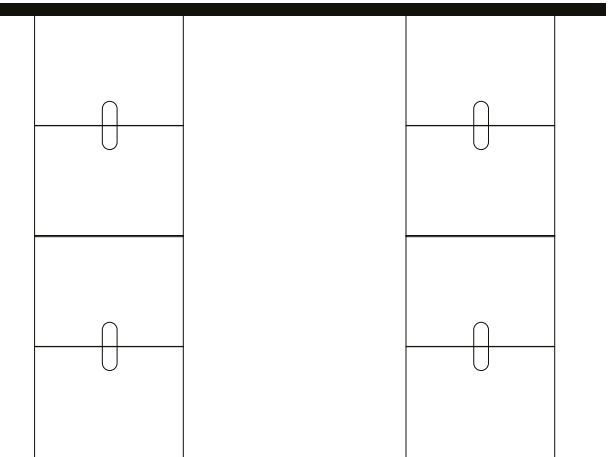
28 high



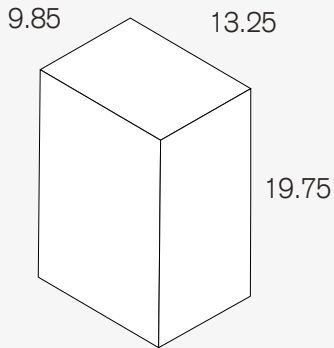
29.5 high



41.5 high



Xbrick dimensions





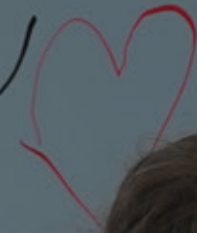
Attach to trees



FRISBEE
COMPETITION!



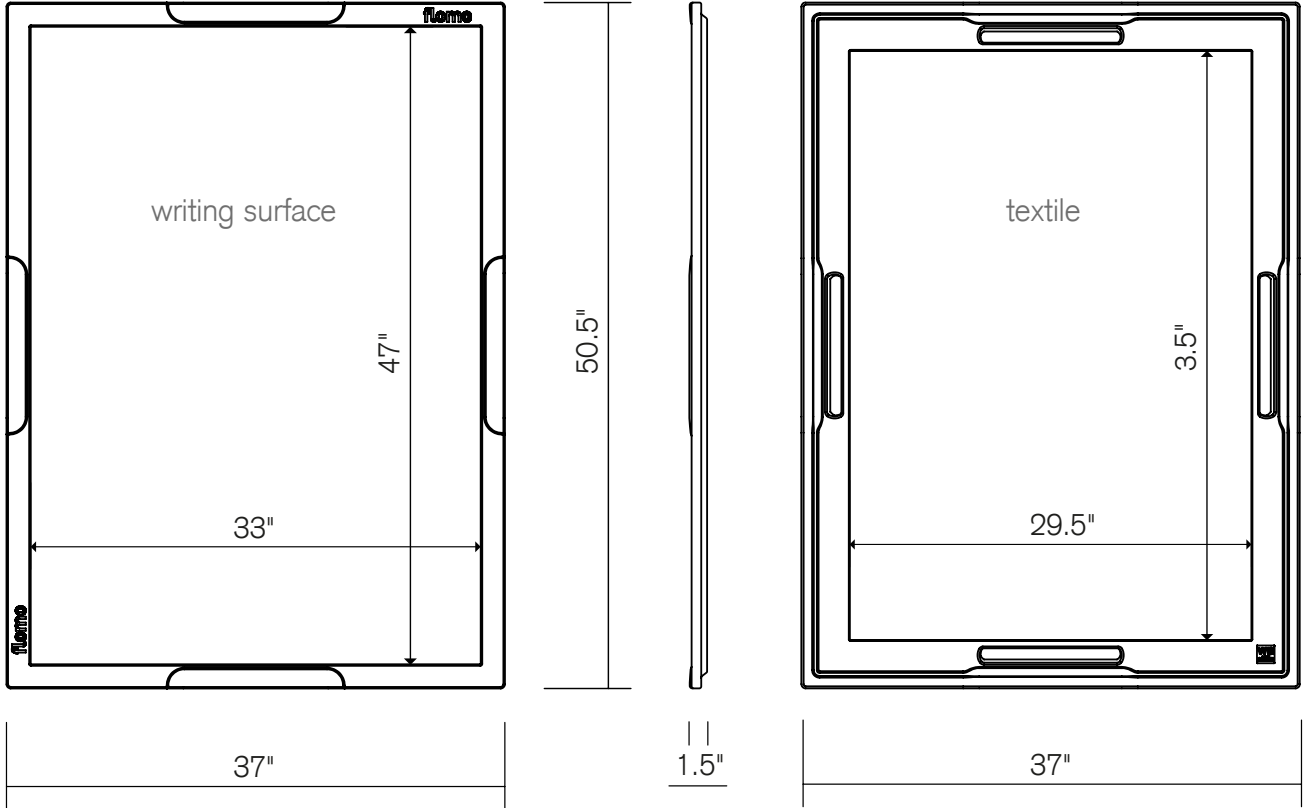
JOIN THE
RED TEAM
GREEN TEAM



WINNER

Flomo board dimensions

- High quality ceramic writing surface on steel
- Frame for handling with shock protection
- 4 shell handles
- Textile hook-and-loop fastening on back
- 13 lbs



Materials

- Writing surface: enameled sheet steel
- Board edge/grip and impact edge: expanded polypropylene with structured surface
- Back of board edge: 4 grip and fastening recesses
- Core: perforated sheet metal
- Back: Velcro velour

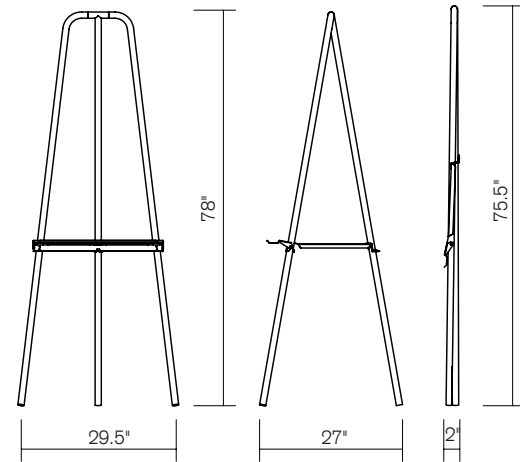


Flomo board combined with the Flomo easel and Xbricks.

Flomo easel

Perfect for presentations and teaching scenarios.

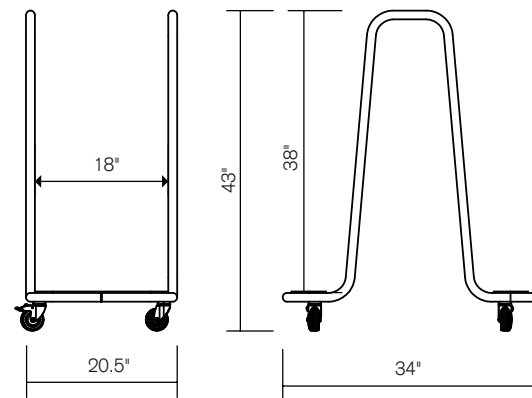
- Foldable
- 2 velcro sleeves
- Tubular stand
- Powder coated aluminum



Flomo caddy

There is space for several flomo boards including flomo easel on the flomo caddy, the cart on four wheels.

- Stores 10 flomo boards
- Stores 8 flomo boards and 1 flomo easel
- 4 casters (2 lockable)
- Cellular rubber supports



Flomo X-belt

The flomo X-belt connects the flomo board to objects





Flomo board combined with the Flomo carry strap.

Attach your Flomo in seconds to various surfaces

Metal surfaces

Use the magnetic Gekko to attach Flomo to metal surfaces.



Walls

Fix Gekko point to walls



Glass surfaces

Use the suction cup Gekko to attach Flomo to glass surfaces or windows.



Rails

Positioned in portrait or landscape format, hanging on their recessed grip, the flomo boards can be moved linearly.





For more information visit muzo-works.com
or call us on (800) 670 2578.

muzo

360 Kiwanis Blvd,
West Hazleton, PA 18202

(800) 670 2578
sales@muzo-works.com

muzo-works.com