

## General

---

### **Warranty**

5 years

### **Return policy**

Full payment will still be required for orders cancelled after 7 days.

### **Materials**

Writing surface - high quality ceramic on steel, white

Base/frame - EPP (expanded polypropylene)

### **Code**

FLOMO/ (board)

FLOMO/C (caddy)

FLOMO/E (easel)

### **Options**

X-belt to connect with Xbricks

Carry strap

Flomo Rail

Gekko suction cups

### **Installation**

No install necessary, product ready to go.

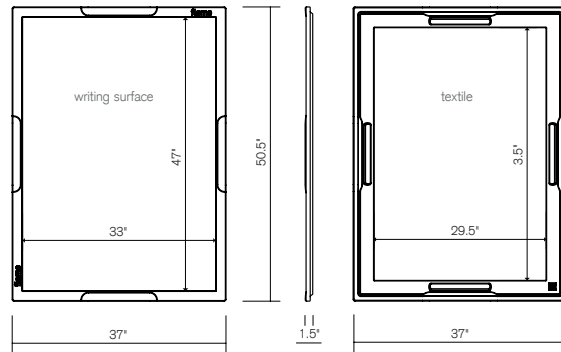
### **Finish**

Frame: Black

Writing surface: White

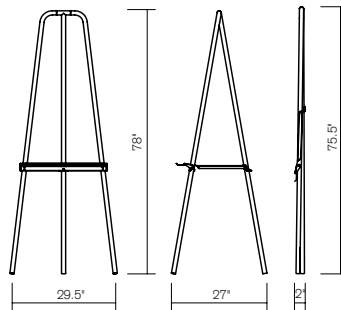
## Flomo board dimensions

- High quality ceramic writing surface on steel
- Frame for handling with shock protection
- 4 shell handles
- Textile hook-and-loop fastening on back
- 13 lbs



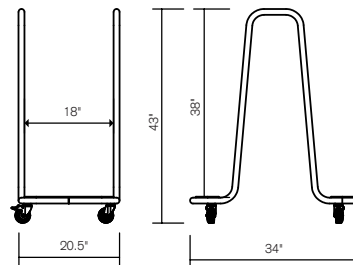
## Flomo easel dimensions

- Foldable
- 2 velcro sleeves
- Tubular stand
- Powder coated aluminum



## Flomo caddy dimensions

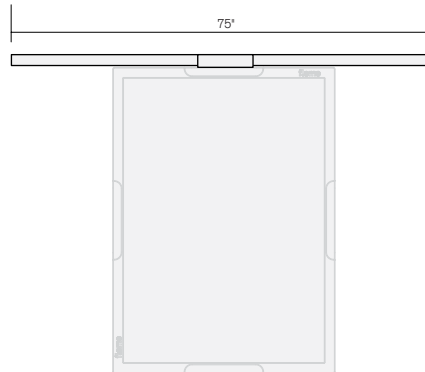
- Stores 10 flomo boards
- Stores 8 flomo boards and 1 flomo easel
- 4 casters (2 lockable)
- Cellular rubber supports



## Flomo rail dimensions

---

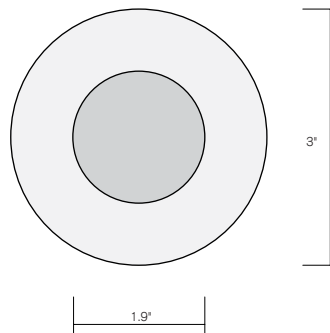
- The secure wall attachment for the flomo board
- space for two flomo boards next to each other
- flomo boards can be moved linearly
- classic functional strip on which coat hooks as well as holders for flipcharts can be mounted
- Powder coated metal in Black



## Gekko for glass and windows

---

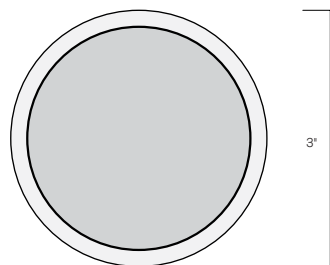
- Suction cup attachment with Velcro
- Flomo gekkos stick to glass with a suction cup
- need three to hold Flomo



## Gekko for metal surfaces

---

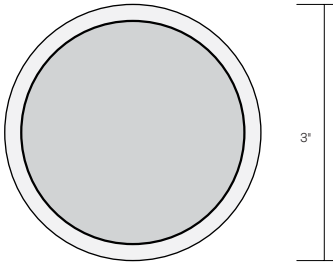
- Suction cup attachment with Velcro
- Flomo gekkos stick to glass with a magnet
- need three to hold Flomo



### Gekko for walls

---

- Suction cup attachment with Velcro
- Flomo gekkos for walls are screwed in for a permanent fixture.
- need three to hold Flomo



Contact info

---

Inquiries

[hello@muzo-works.com](mailto:hello@muzo-works.com)

Purchase orders

[sales@muzo-works.com](mailto:sales@muzo-works.com)

360 Kiwanis Blvd,  
West Hazleton, PA 18202  
USA

(800) 670-2578

[muzo-works.com](http://muzo-works.com)