

## General

---

### Warranty

5 years

### Return policy

Full payment will still be required for orders cancelled after 7 days.

### Materials

Writing surface - high quality ceramic on steel, white

Base/frame - EPP (expanded polypropylene)

### Code

FLOMO/

FLOMO/EASEL/

FLOMO/TROLLEY

### Options

X-belt to connect with Xbricks

Carry strap

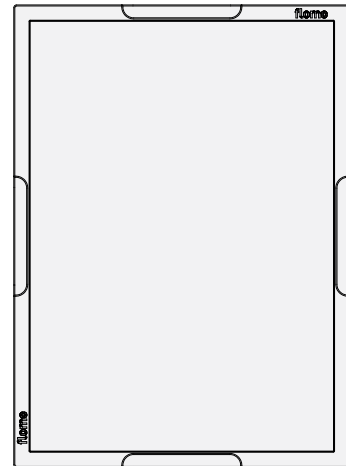
### Installation

No install necessary, product ready to go.

### Finish

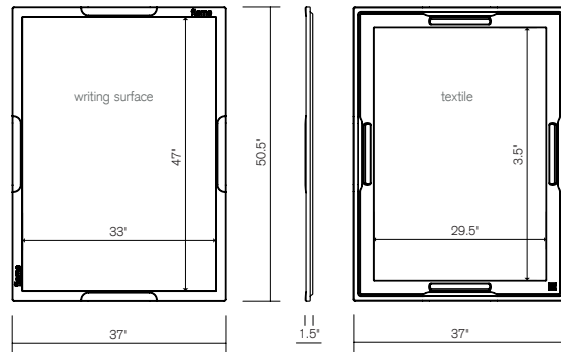
Frame: Gray or Orange

Writing surface: White



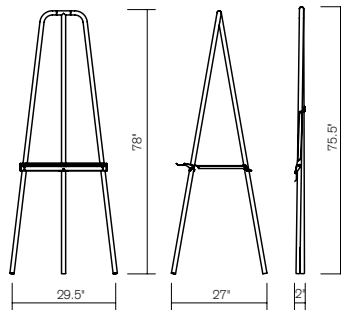
## Flomo board dimensions

- High quality ceramic writing surface on steel
- Frame for handling with shock protection
- 4 shell handles
- Textile hook-and-loop fastening on back
- 13 lbs



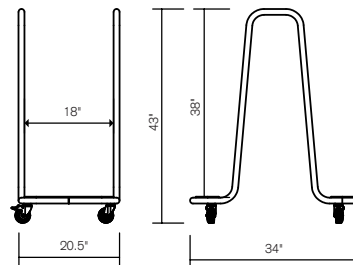
## Flomo easel dimensions

- Foldable
- 2 velcro sleeves
- Tubular stand
- Powder coated aluminum



## Flomo trolley dimensions

- Stores 10 flomo boards
- Stores 8 flomo boards and 1 flomo easel
- 4 casters (2 lockable)
- Cellular rubber supports



Contact info

---

Inquiries

[hello@muzo-works.com](mailto:hello@muzo-works.com)

Purchase orders

[sales@muzo-works.com](mailto:sales@muzo-works.com)

360 Kiwanis Blvd,  
West Hazleton, PA 18202  
USA

(800) 670-2578

[muzo-works.com](http://muzo-works.com)