

muzo

Alfresco Bench

General

Uses

Residential | Canteens | Terraces | Gardens

Warranty

10 years

Return policy

Full payment will still be required for orders cancelled after 7 days.

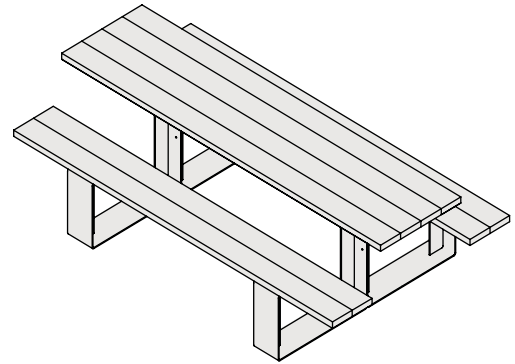
Materials

Frames: Clear lacquer protected Brushed Stainless Steel

Tops Outdoors: Polyester powder-coated aluminum, or Untreated Iroko Hardwood

Tops Indoors: lacquered/stained Birch Ply (inside only).

Custom Top Options: Thermoformed Wood



Code

AlfrescoBench/200 8 seater

AlfrescoBench/240 10 seater

Options

Non-standard colors.

Powder-coat finished frame.

Environmental

FISP accredited

Durable materials

Installation

Assembly is required for this product.

Instructions, diagrams and fixings are supplied.

Please be careful when removing wrapping to avoid sharp implements damaging the surface.

muzo
Alfresco Bench

Dimensions & Weight

Table	Seats	Width	Depth	Height	Weight
Alfresco Bench/200	8	79"	57"	29.5"	298 lbs
Alfresco Bench/240	10	94.5"	57"	29.5"	309 lbs

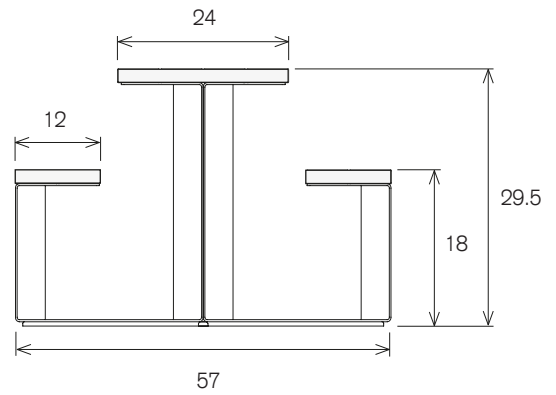
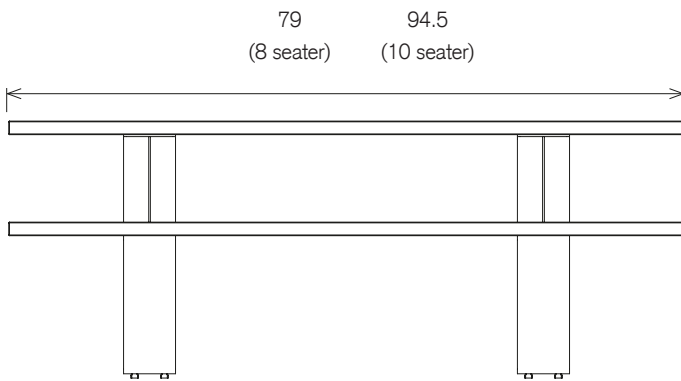


Table Top & Bench Seat Finishes

Outside wood
surface



Solid Iroko

Frame



Brushed stainless steel

Muzo Eco
Powder coat



Passion
PS/ECO



Humanity
HM/ECO



Collaboration
CO/ECO



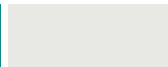
Optimism
OP/ECO



Imagination
IM/ECO



Creativity
CR/ECO



Peace
PE/ECO



Balance
BA/ECO



Zen
ZN/ECO

Contact info

Inquiries

hello@muzo-works.com

Purchase orders

sales@muzo-works.com

360 Kiwanis Blvd,
West Hazleton, PA 18202

(800) 670-2578

muzo-works.com