

Switch **muzo**



Mobile and light yet
strong and durable



The concept is simple, a chair that folds and nests that integrates flawlessly with Kite. Individually, Switch offers unique styling and brings a new level of comfort to the training and educational environment. Carefully designed to support the natural ways humans move when seated, small details ensure a comfortable and functional seating experience.

It is one thing having super-chair that ticks all the boxes, and another having one that ticks all the boxes and can neatly nest together. The flip-seat allows users to neatly store Switch away, which means your workspace is ready to adapt to any changes reality may ask of you.





Switch operates seamlessly with our Kite table system. The mobility of the chairs and tables make it perfect for classroom environments like the one above.



The nesting capability of Switch allows for quick and easy reconfiguring of the working layout. It also stores neatly away to free up space when needed. The lightness of Switch makes it an extremely flexible and mobile chair, there is no need to waste energy with heavy, clunky furniture when you can have strength, comfort, style and mobility without compromise.

Performance points

Ergonomic armrest

The armrests are sleek and light yet sturdy and strong. Designed at such an angle to allow the arms to be comfortably positioned with ease.

Backrest

Active Back technology provides a durable harmonious and fully supportive backrest suited to all body types.

Seat

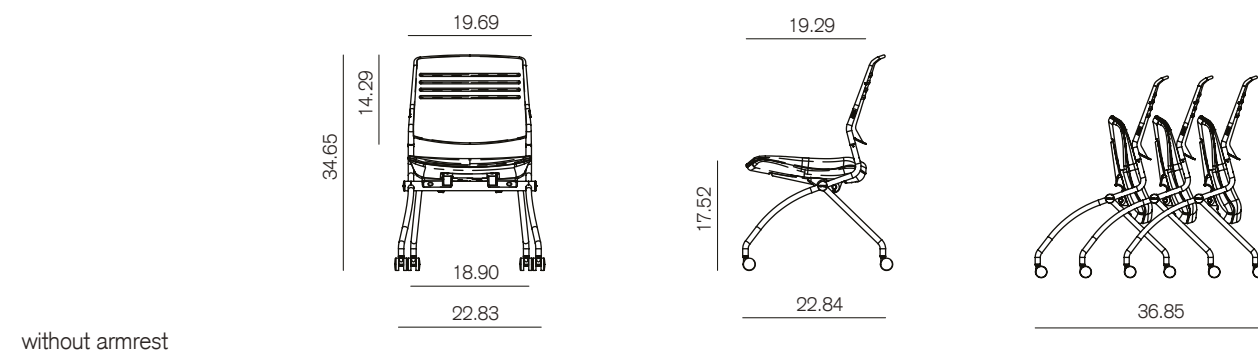
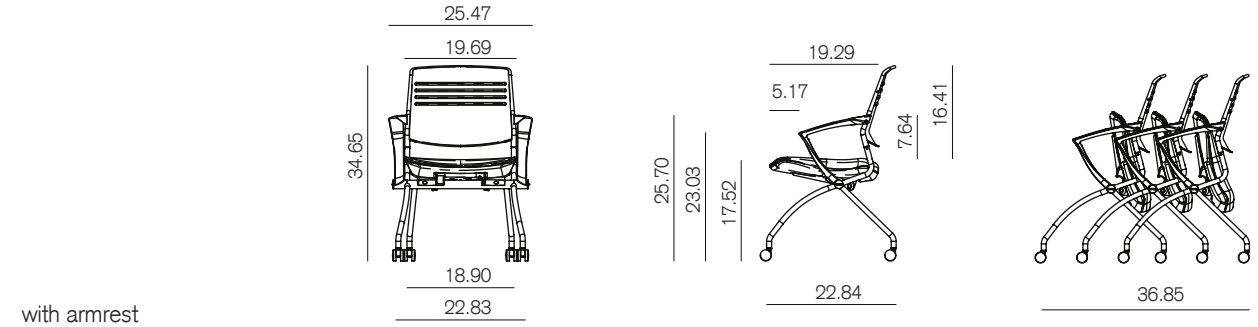
A slight tilt of the seat binds the users body completely to the chair and the thin front of the seat contrasting with the thick back allows for better blood circulation.

Create space

Ample space is provided for the users to complete many tasks and move freely whilst sitting. When not in use, Switch can be effortlessly stored away.



Dimensions



Weight of Switch chair with arms

57.3 lbs

Weight of Switch chair without arms

48.5 lbs

Max user weight

249 lbs

Materials

Active Back finishes



Frame finishes



Fabric colours (100% polyester)



Plastic (44%)

98.5 % Recyclable

Back
Seat Frame
Armrest
Seat buffer & spacer
Casters

Steel (47.2 %)

98.5 % Recyclable

Frame
Back stick
Screws & bolts

Foam (7.3 %)

98.5 % Recyclable

PU seat foam

Upholstery (1.5%)

1.8 % Non-Recyclable

Upholstery fabric

For more information visit muzo-works.com
or call us on (800) 670-2578.

muzo

360 Kiwanis Blvd,
West Hazleton, PA 18202

(800) 670-2578
sales@muzo-works.com

muzo-works.com