

M-Pod
muzo



A privacy chair for breakout areas in office, education and library spaces.









Performance points

Choose your look

You can specify the back and seat cushions in different colors to create a unique aesthetic.



Acoustics

Thanks to the unique production technique, M-Pod has sound dampening properties to increase the sensation of privacy.

Recyclable shell

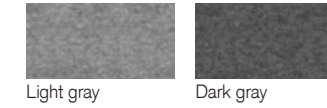
The shell of the Pod is made out of recycled PET bottles and is the largest form ever produced utilizing this special PET Felt technology.

Frame

Made from solid ash, when ordering a minimum of 5 M-Pods in the same design, the color of the frame can be customized.

Finish options

PET felt



Frame standard

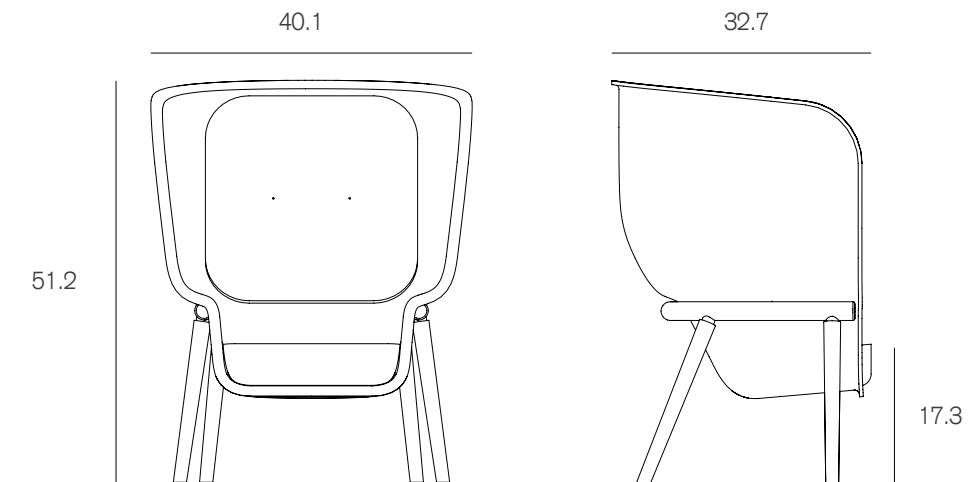


Frame specials

(When ordering a minimum of 5 M-Pods in the same design, the color of the frame can be customized.)



Dimensions



For more information visit muzo-works.com
or call us on (800) 670-2578.

muzo

360 Kiwanis Blvd,
West Hazleton, PA 18202

(800) 670-2578
sales@muzo-works.com

muzo-works.com