

# Edge muzo





Designed for indoor and outdoor spaces, Edge gives you the option of continuing the theme through your entire space.

The legs and frames for both the inside and outside versions are manufactured with hand-made aluminum and have a polyester powder-coat finish. Both versions of the Edge Table and Bench have the option of either Iroko wood or lacquered Plywood. Like all of our inside products, power and cable management options are available for the inside version of the Edge Table.







The surface is made from individual strips of wood that come together to create a beautifully robust table with an incredible aesthetic appeal.







# Performance points

## Outside and Inside use

Edge can be specified to be used both outdoors and indoors, making it perfect for canteens, terraces and breakout spaces.

## Surface

Bolted surface made from either Solid Iroko or Birch ply with option of different finishes depending on your needs.

## Power and Cable management

Optional accessories that work perfectly with Edge to keep your cables tidy and safe.

## Base

Powder-coated solid aluminum supporting base that looks elegant and has bolt down option.



# Finish options

Outside wood surface



Solid Iroko

Indoor Coated plywood



Sable



Oxide Red



Cream



Agate Gray



Light Blue



Black



Bronze



Birch Ply

Muzo Eco Powder coat



Passion PS/ECO



Humanity HM/ECO



Collaboration CO/ECO



Optimism OP/ECO



Imagination IM/ECO



Creativity CR/ECO



Peace PE/ECO



Balance BA/ECO

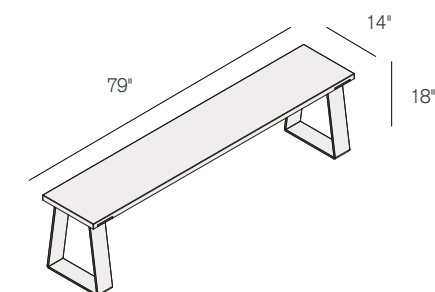
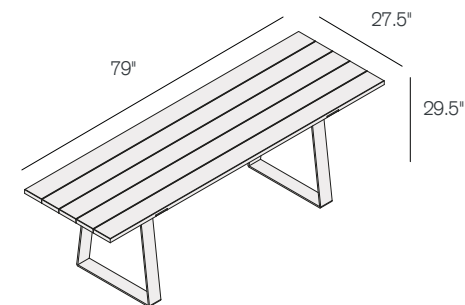


Zen ZN/ECO

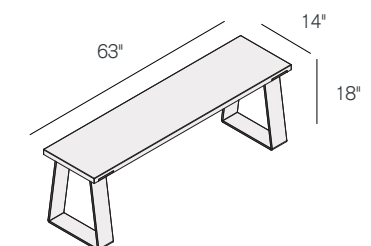
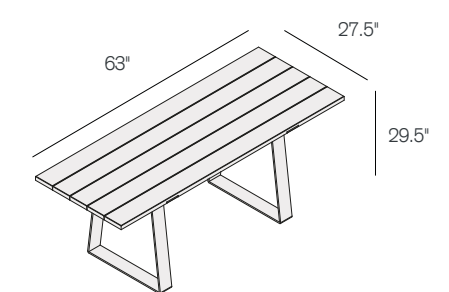
\*RAL colors available as special request

# Dimensions

6 seater



4 seater



For more information visit [muzo-works.com](https://muzo-works.com)  
or call us on (800) 670-2578.

**muzo**

360 Kiwanis Blvd,  
West Hazleton, PA 18202

(800) 670-2578  
[sales@muzo-works.com](mailto:sales@muzo-works.com)

[muzo-works.com](https://muzo-works.com)