

General

Minimum order quantity

1

Warranty

5 years

Return policy

Order cancellation permitted before product ships subject to \$75-100 re-stocking fee per product

Materials

White Powder Coated Base

R2 Boxed

Dimensions: 16" x 16" x 19"

Weight: 28.6 Lbs

R2 (with tablet) Boxed

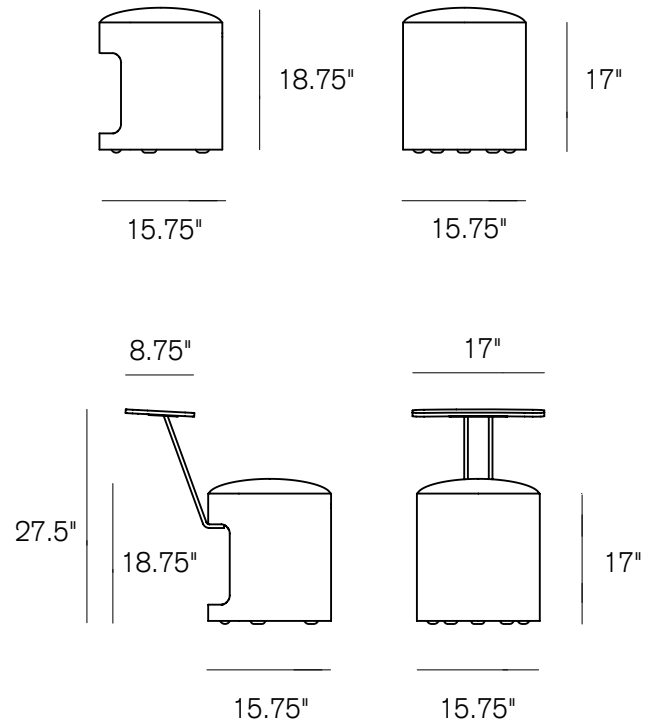
Dimensions: 17" x 17" x 27.5"

Weight: 28.6 Lbs

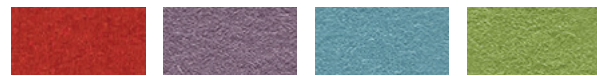
Codes

R2/

R2P/ (with tablet pad)



Camira fabrics



Goldsmith
CUZ39

Scottsdale
CUZ3E

Woodcroft
CUZ2Z

Penola
CUZ2X

Elpo vinyl fabrics



Blue
NU-EL1-0273

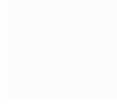
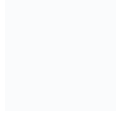
Red
NU-EL1-0433

Green
NU-EL1-0294

Purple
NU-EL1-0451



Contact info



Inquiries

hello@muzo-works.com

Purchase orders

sales@muzo-works.com

72 Hillside Drive, Drums,
PA 18222, USA

(800) 670-2578

muzo-works.com