

General

Uses

Inside: Canteens, Classrooms, Breakout areas, Cafés

Outside: Terraces, Public Spaces, Cafés, Office Breakout Areas

Warranty

5 years

Return policy

Full payment will still be required for orders cancelled after 7 days.

Materials

Frame: Brushed Stainless Steel with a finger-print & stain resistant coating

Surfaces: FSC European Birch Ply or Solid Iroko slats unfinished

Code

ALMINI/3/ (Three seater)

ALMINI/6/ (Six seater)

Options

Bolt-down brackets

Parasol hole (interchangeable pentral plug allows for concealable parasol hole)

Non-standard RAL colors

Environmental

British manufacture

FISP accredited

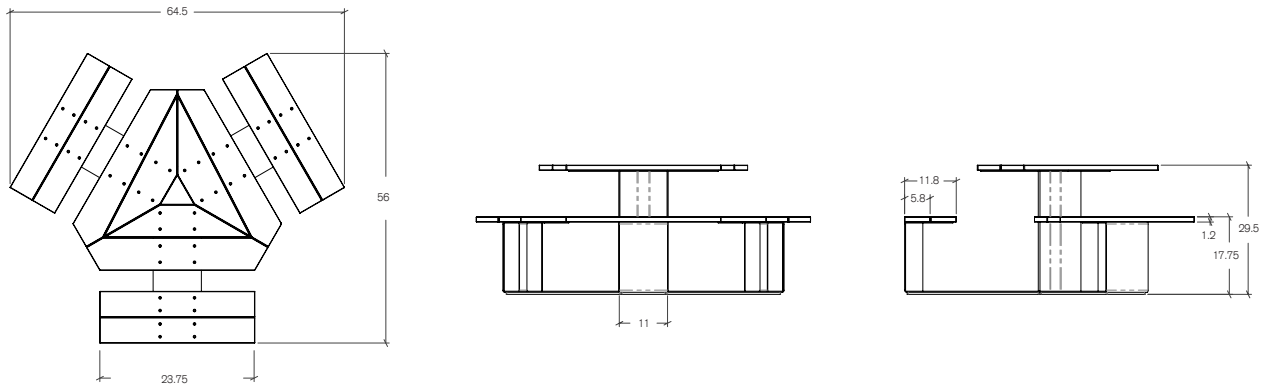
Demountable for re-use or recycling

60% Recycled stainless steel

FSC Timber

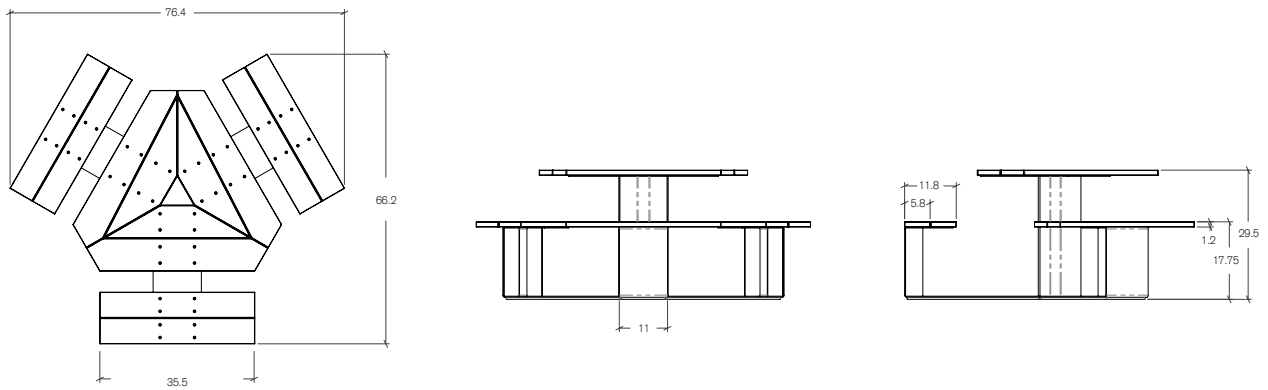
3 seater dimensions

Weight: 347 lb



6 seater dimensions

Weight: 408 lb



Finishes

Outside



Solid Iroko
Unfinished - will turn silver
gray when exposed to UV light

Inside
FSC birch ply
Tinted lacquer



Clear lacquer



Light Pink



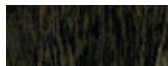
Light Blue



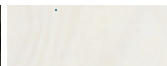
Light Ivory



Traffic Red



Black



Cream



Green



Laminate on ply

Frame



Brushed stainless steel

Packaging information

Packaging varies according to the nature of the order size, this means we use packaging in the most effective and eco-friendly way.

Contact info

Inquiries

hello@muzo-works.com

Purchase orders

sales@muzo-works.com

72 Hillside Drive, Drums,
PA 18222, USA

(570) 788 0888

muzo-works.com