

Signs **muzo**



Modular seating perfect
for public spaces, waiting
areas and offices



Signs is a modular seating system for public spaces, waiting areas and offices. Signs can be ordered in different configurations and sizes to meet different environmental and interior needs. Workspaces shouldn't be boring. Signs opens up the opportunity for users to adapt easily.

Different colors, fabrics and contrast stitching is available. We call it the skin. It's important to note that although a beautiful product in itself, the intelligent modular design and underlying function shouldn't be ignored. It is intrinsic to helping users shape an environment that works for them.





The units can be used individually or linked together to form different shapes and compositions, from just a few units for a small office to enormous shapes for a large public space. The composition possibilities are almost endless.

Individual units

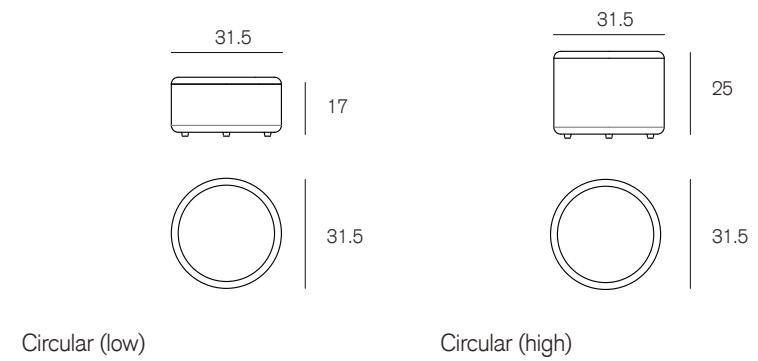
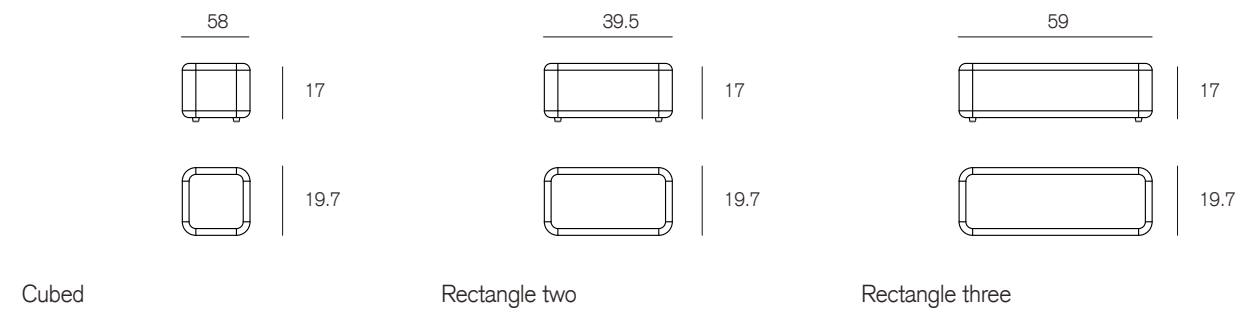
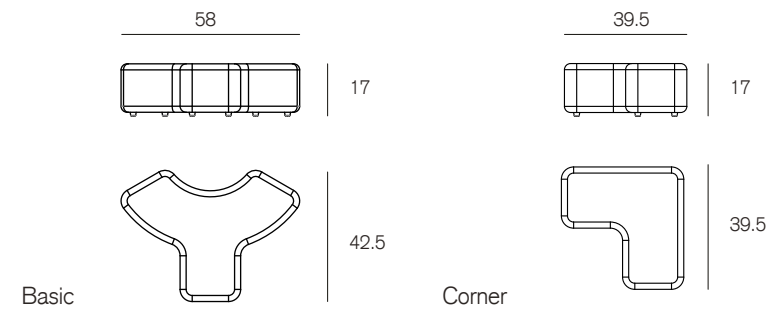


Possible layouts



- 1 basic piece
- 2 cubed one-seater
- 3 rectangular two-seater
- 4 rectangular three-seater
- 5 circular one-seaters (high and low)
- 6 corner piece

Dimensions



Materials

Basic

High quality foam on a plywood frame with plastic glides.

Fabrics

Camira — Blazer
Gabriel — Europost 2
Morbern — Maverick
CF Stinson — Fuse 2.0
Mayer — Hexagon
Maharam — Facet

For more information visit muzo-works.com
or call us on (800) 670-2578.

muzo

360 Kiwanis Blvd,
West Hazleton, PA 18202

(800) 670-2578
sales@muzo-works.com

muzo-works.com