

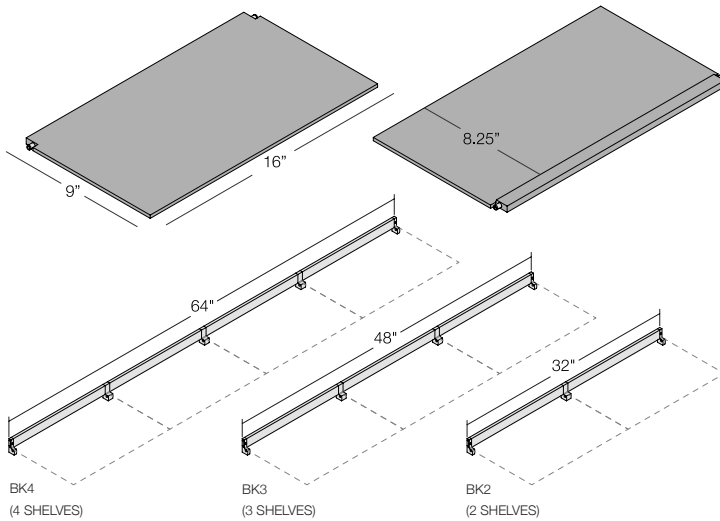
Features and Benefits

- INDIVIDUALLY PIVOTING SHELVES ROTATE EASILY - NO TOOLS REQUIRED
- EACH SHELF FEATURES A SMOOTH, QUIET, RESISTED DROP MOVEMENT AND WILL NOT MOVE DUE TO BUILDING VIBRATIONS OR USER INTERACTION
- MODULAR RAIL-BASED DESIGN - CREATE ANY SIZE LAYOUT
- ALL COMPONENTS MADE FROM SOLID EXTRUDED ALUMINUM WITH A DURABLE ANODIZED FINISH

- SHELF FACES CAN DISPLAY MAGNETIC ARTWORK (LOGOS AND BRANDING, PHOTOGRAPHY, ILLUSTRATIONS, FINE ART), TEXTILES, CHALKBOARD, WHITEBOARD, WOOD VENEER, AND OTHER MATERIALS
- EACH SHELF CAN HOLD UP TO 8 LBS OF WEIGHT
- ALL RIVELI COMPONENTS AND ACCESSORIES ARE MANUFACTURED AND ASSEMBLED IN THE USA

Dimensions and Weights

- SHELVES ARE 16" X 9" WITH A THICKNESS OF .25".
- EACH SHELF HAS 8.25" OF USABLE DEPTH AND 16" OF USABLE WIDTH.
- EACH SHELF IS SOLID ALUMINUM AND WEIGHS 3.25 LBS.
- RIVELI USES THREE LENGTHS OF RAILS (CALLED BASE KITS): BK4 (64") | BK3 (48") | BK2 (32")



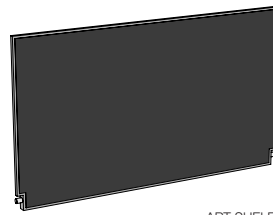
Shelf Options

ART SHELF

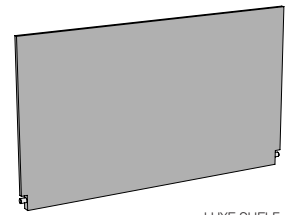
INCLUDES A MAGNETIC FACE TO ATTACH ARTWORK OR OTHER ACCESSORIES TO.

LUXE SHELF

ANODIZED ALUMINUM IN A NUMBER OF FINISH AND COLOR OPTIONS.



ART SHELF



LUXE SHELF

Art Shelf and add-on options

ARTWORK PANELS

EACH PANEL IS MAGNETIC AND CAN BE EASILY CHANGED, STORED, AND REUSED. ANY HIGH-RESOLUTION ARTWORK FILE CAN BE USED, INCLUDING LOGOS AND BRANDING, PHOTOGRAPHY, ILLUSTRATIONS, PATTERNS, AND FINE ART.

MATERIAL PANELS

MAGNETIC WHITEBOARD, CHALKBOARD, PAINTABLE ARTIST CANVAS, AND WOOD VENEER PRINT OPTIONS ARE AVAILABLE. EACH PANEL IS MAGNETIC AND CAN BE EASILY CHANGED, STORED, AND REUSED.

DESIGN FRAME

THE DESIGN FRAME IS A MAGNETIC ACCESSORY THAT CAN BE USED TO DISPLAY TEXTILES, PAPER, ACRYLIC, AND OTHER MATERIALS UP TO 3/16" THICK.

Environmental Specifications

ALL ALUMINUM COMPONENTS USE INDUSTRY-RECYCLED MATERIAL. PARTS ARE EASILY DISASSEMBLED AT END-OF-LIFE FOR RECYCLING OR REUSE IN ANOTHER LOCATION. SLIDE IN OR MAGNETIC ACCENT MATERIALS ARE USED, WHICH MAY BE STORED AND REUSED TO CONTINUALLY CHANGE THE AESTHETIC OF THE ENVIRONMENT, LOWER PRINTING COSTS, REDUCE THE ENVIRONMENTAL FOOTPRINT, AND EXTEND THE PRODUCT LIFE CYCLE.

Color and finish options

THE STANDARD FINISH FOR BOTH THE ART SHELVES AND THE LUXE SHELVES IS SILVER, THE COLOR OF ALUMINUM, WITH A CLEAR SATIN ANODIZED FINISH. BOTH THE ART SHELF AND THE LUXE SHELF ARE ALSO AVAILABLE IN BLACK, GOLD, AND COPPER SATIN ANODIZED FINISHES.

Luxe shelf and add-on options

CUSTOM LASER-ETCHING

EACH ALUMINUM PANEL CAN BE LASER-ETCHED. PROVIDE YOUR OWN VECTOR FILE WITH A CUSTOM LOGO, PATTERN, OR IMAGE OR CHOOSE FROM OUR COLLECTION OF PATTERNS DESIGNED TO COMPLIMENT THE SCALE AND DIMENSIONS OF THE SHELVES. PANELS IN EVERY ANODIZED COLOR CAN BE LASER-ETCHED, WHICH SUBTLY REVEALS THE SOLID ALUMINUM CORE.

Installation overview

TO INSTALL RIVELI, EACH RAIL MUST BE ATTACHED TO A SMOOTH, FLAT, AND STRUCTURALLY SECURE WALL. APPROPRIATE HARDWARE WILL NEED TO BE USED DEPENDING ON THE TYPE OF WALL MATERIAL (NOT INCLUDED). EACH RAIL COMES PRE-DRILLED WITH #10 COUNTERSUNK HOLES EVERY 4". RAILS SHOULD BE INSTALLED STRAIGHT AND LEVEL WITH A HORIZONTAL DISTANCE OF 9.5" BETWEEN CENTERS. AT LEAST A 16" MARGIN SHOULD BE LEFT ON ONE SIDE OF THE INSTALLATION. SLIDE ON INDIVIDUAL COMPONENTS AND TIGHTEN ALL HARDWARE. ARTWORK AND ACCESSORIES ATTACH LAST AND CAN BE EASILY CHANGED WITHOUT ANY TOOLS.

RIVELI SHELVING SHOULD BE INSTALLED BY A LICENSED INSTALLATION PROFESSIONAL.

