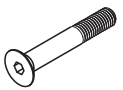

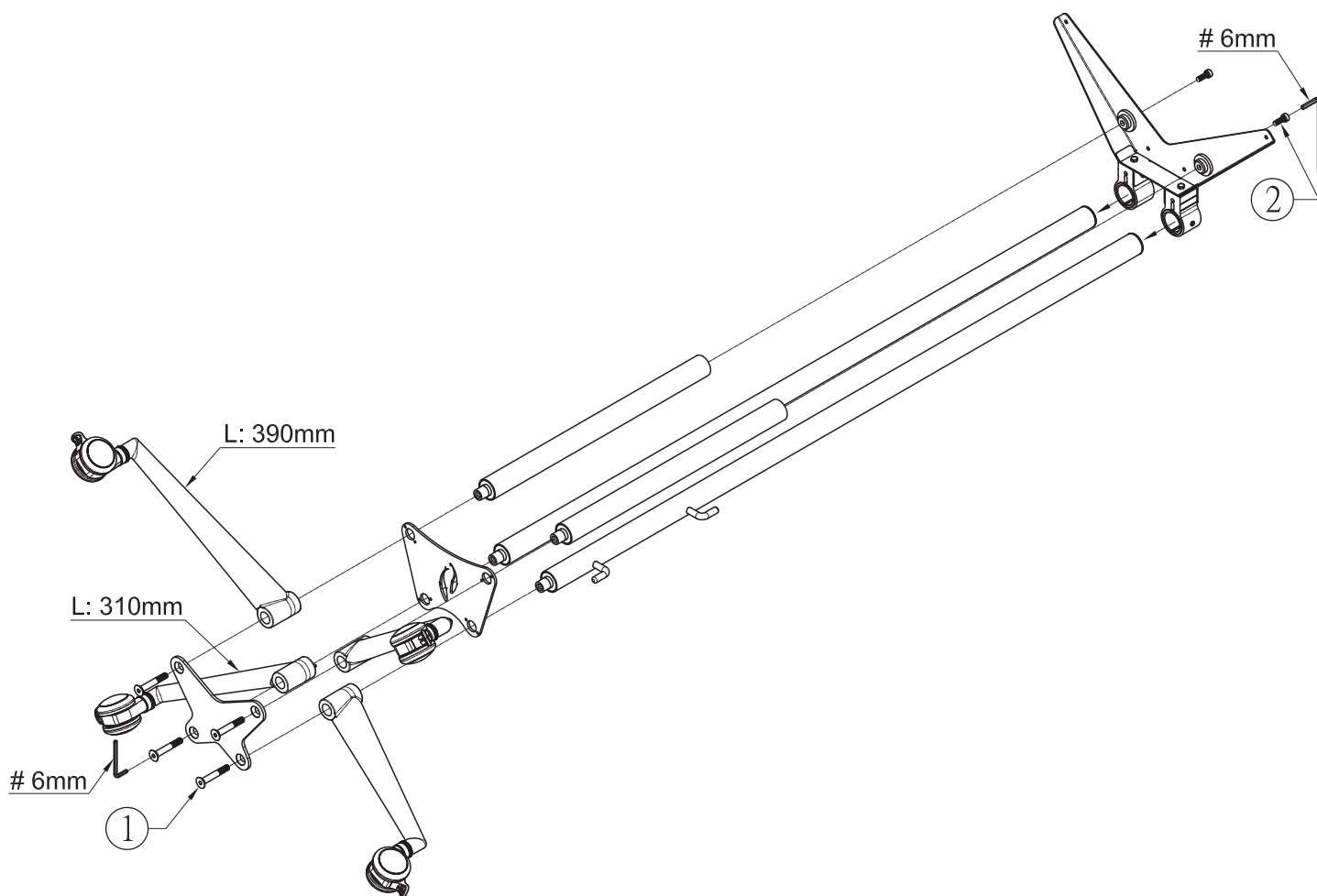



To ensure proper assembly of your **Modia** unit, please take time to read through the steps in this **assembly guide** and follow them carefully.

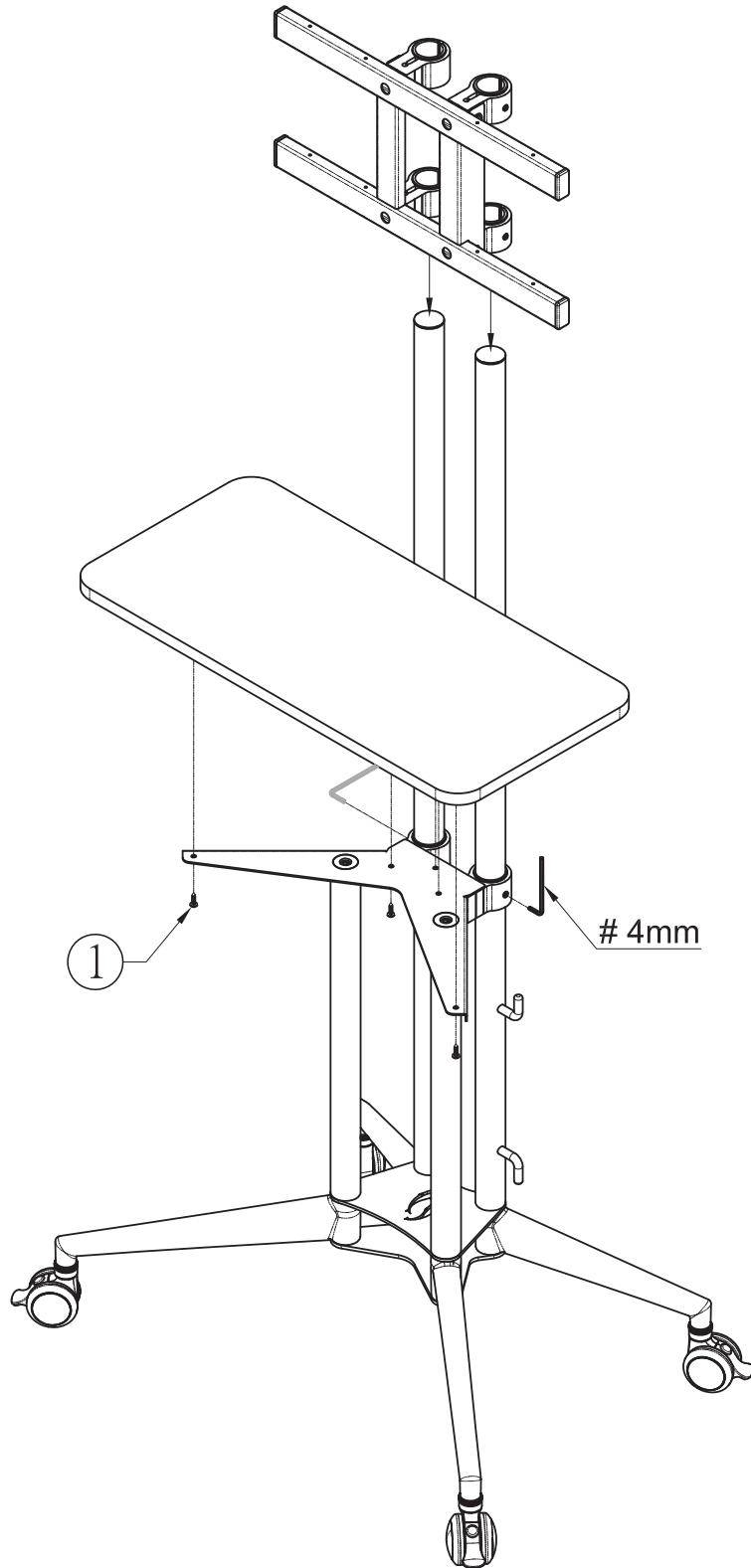
1

Hardware	
1	2
	
M10 x 70mm x4pcs	M8 x 20mm x2pcs





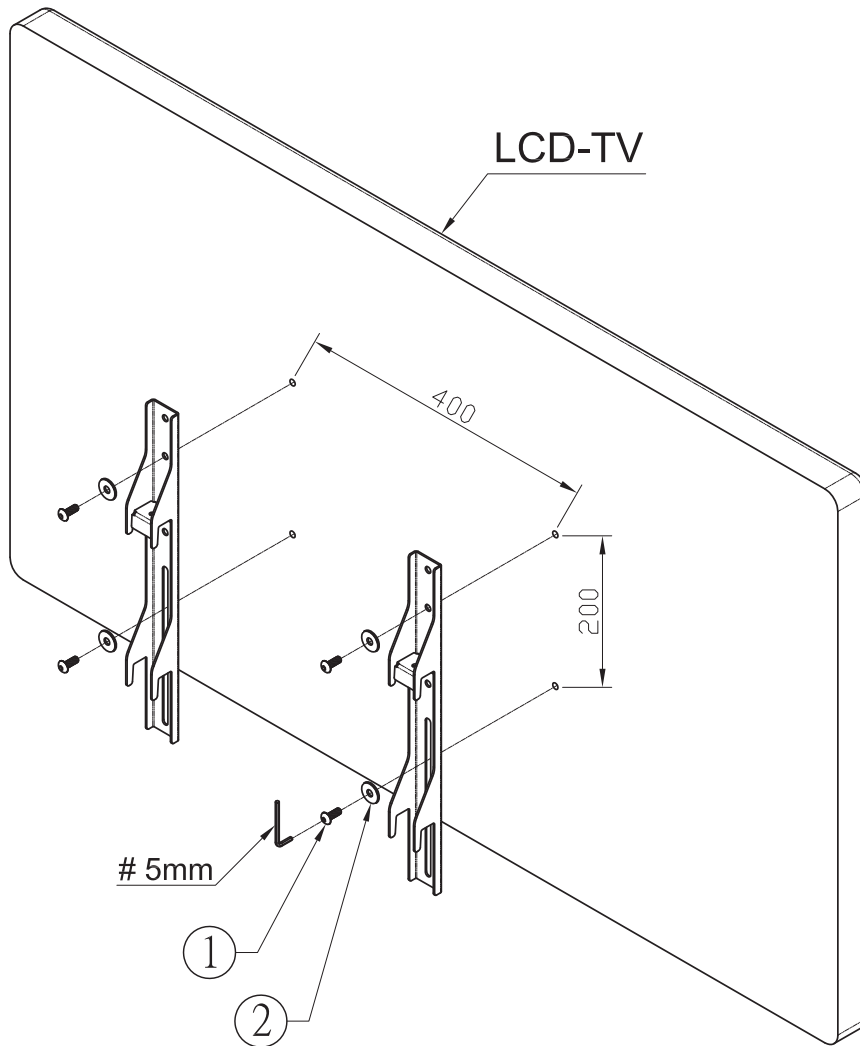
2

Hardware	
1	
$\phi 3/16"$ x $\phi 5/8"$ x5pcs	




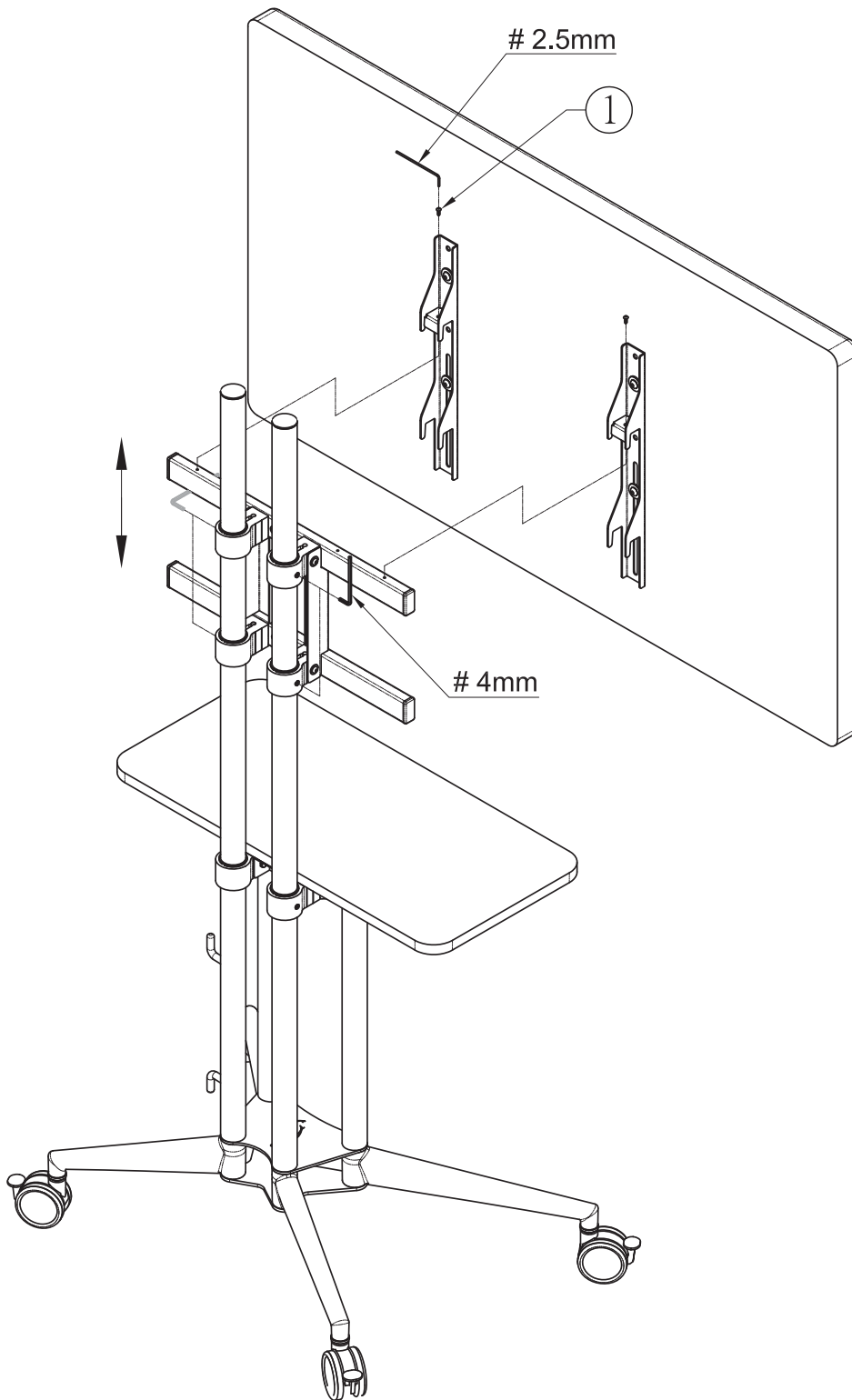
3

Hardware	
1	2
	
M8 x 20mm x4pcs	M8 x ϕ 25 x4pcs




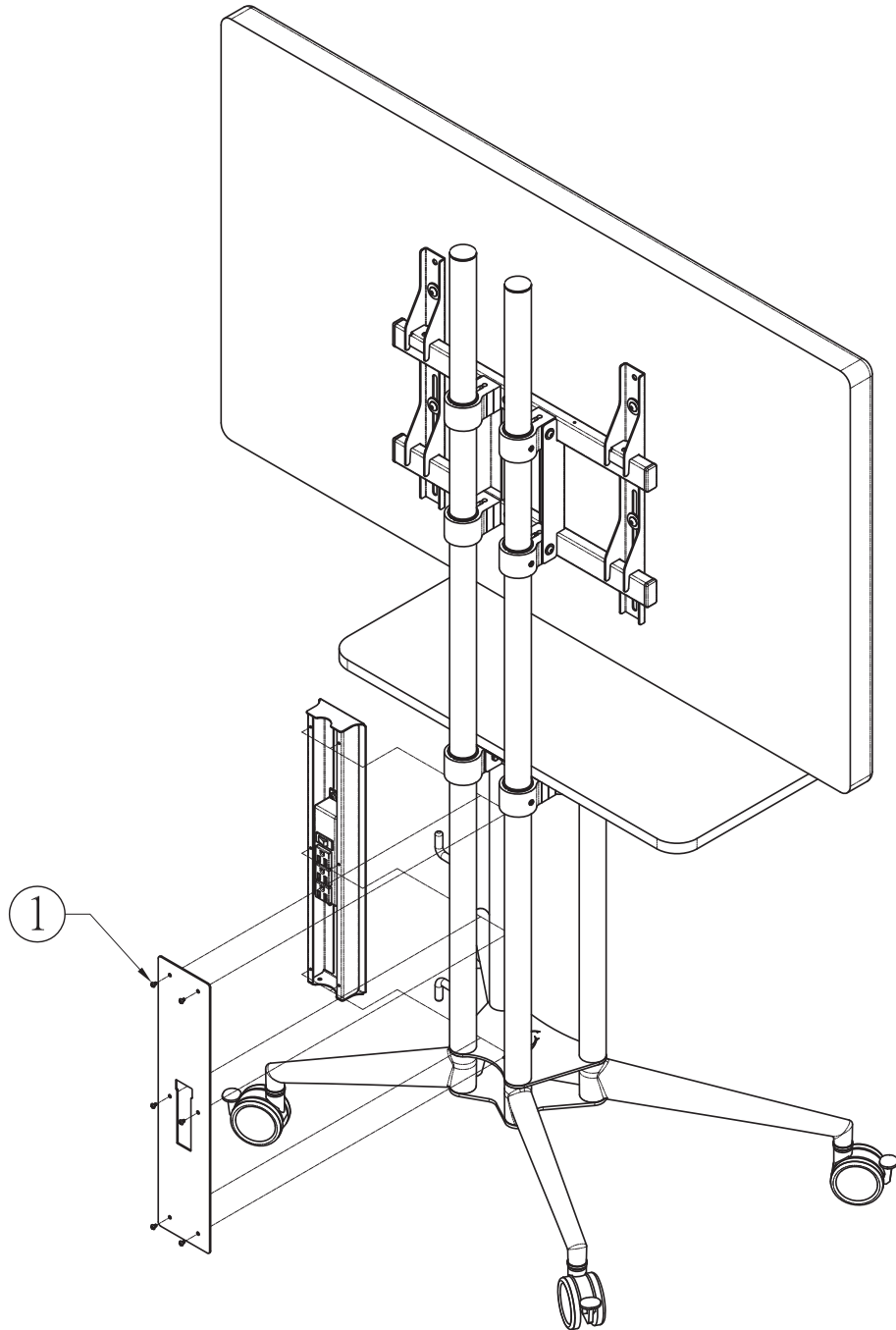
4

Hardware	
1	
M4 x 10mm x2pcs	



5

Hardware	
1	
M4 x 6mm x2pcs	



If you have any questions about assembly of your Modia unit or any other Muzo product, please contact us:

Muzo
72 Hillside Drive
Drums, PA 18222

(570) 788 0888
hello@muzo-works.com