

General

Uses

Inside: Canteens, Classrooms, Breakout areas, Cafés

Outside: Terraces, Public Spaces, Cafés, Office Breakout Areas

Warranty

5 years

Return policy

Full payment will still be required for orders cancelled after 7 days.

Materials

Frame: Brushed Stainless Steel with a finger-print & stain resistant coating

Surfaces: FSC European Birch Ply or Solid Iroko slats unfinished

Code

ALMINI/3/ (Three seater)

ALMINI/6/ (Six seater)

Options

Bolt-down brackets

Parasol hole (interchangeable pentral plug allows for concealable parasol hole)

Non-standard RAL colors

Environmental

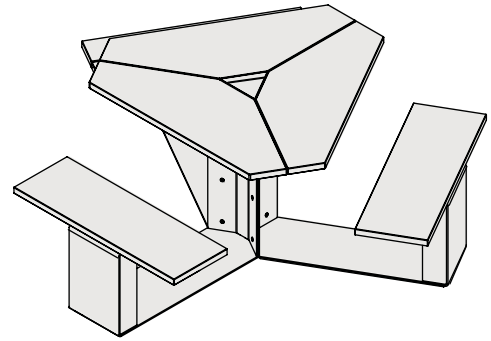
British manufacture

FISP accredited

Demountable for re-use or recycling

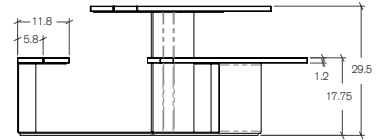
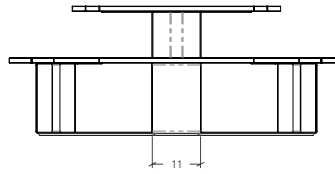
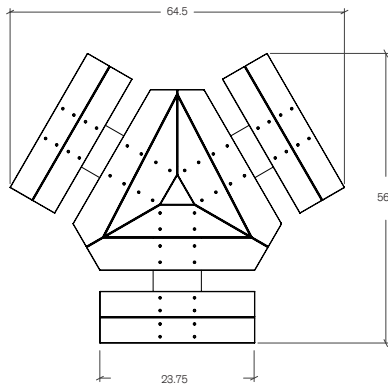
60% Recycled stainless steel

FSC Timber



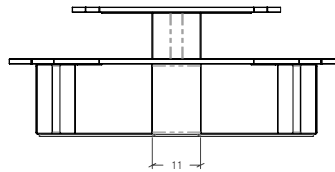
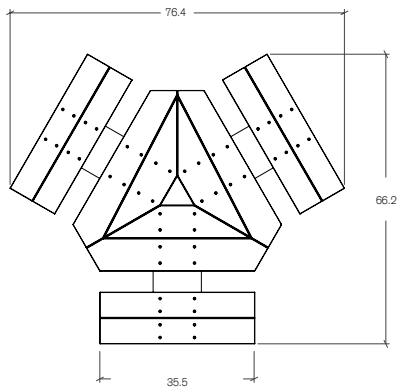
3 seater dimensions

Weight: 347 lb



6 seater dimensions

Weight: 408 lb



Finishes

Outdoor top



Solid Iroko

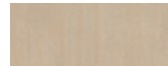
Indoor top
Coated plywood



Pastel Blue
RAL 5024



Oxide Red
RAL 3009



Cream
RAL 9001



Agate Gray
RAL 7038



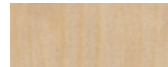
Dust Gray
RAL 7037



Black
RAL 9004



Light Pink
RAL 3015



Birch Ply

Frame



Brushed stainless steel

Packaging information

Packaging varies according to the nature of the order size, this means we use packaging in the most effective and eco-friendly way.

Contact info

Inquiries

hello@muzo-works.com

Purchase orders

sales@muzo-works.com

360 Kiwanis Blvd,
West Hazleton, PA 18202

(800) 670-2578

muzo-works.com