

muzo

Waltzer® (high back)

General

Minimum order quantity

2

Warranty

5 years, under normal wear and tear conditions

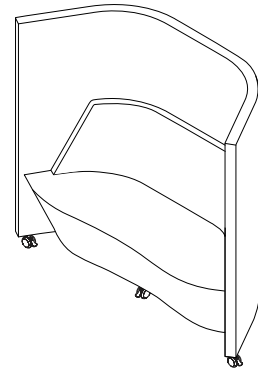
Return policy

No returns accepted. Please ensure fabric choices are correct when placing your order.

Materials

Frame: Wood frame clad with layered CMHR foam

Caster: Rubber wheels, steel pin, injection molded plastic components



Casters

Waltzer features Jewel castor, a patent-pending castor which facilitates locking of both the wheels and axis for maximum stability.

Code

WZ/HB High back mobile sofa

Weight

153 lbs

Dimensions

Total height	56.5"
Total width	73.5"
Total depth	26"
Floor to seat height	18.5"
Inner seat back height	14"
Seat depth	18.5 - 21"
Seat width	66 "

Fabric lengths

Inner & outer body	20 foot 1 "
Seat & seat back	10 foot 6 "
Inner body only	12 foot 2 "
Outer body only	10 foot 10 "

General

Minimum order quantity

2

Warranty

5 years, under normal wear and tear conditions

Return policy

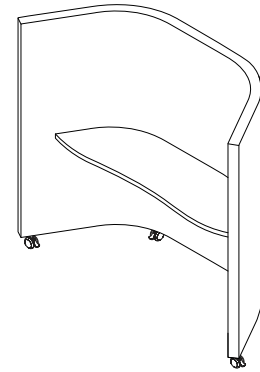
No returns accepted. Please ensure fabric choices are correct when placing your order.

Materials

Frame: Wood frame clad with layered CMHR foam

Caster: Rubber wheels, steel leveling pin, injection molded plastic components

Table-top: Particle board substrate with laminate finish



Casters

Waltzer features Jewel castor, a patent-pending castor which facilitates locking of both the wheels and axis for maximum stability.

Code

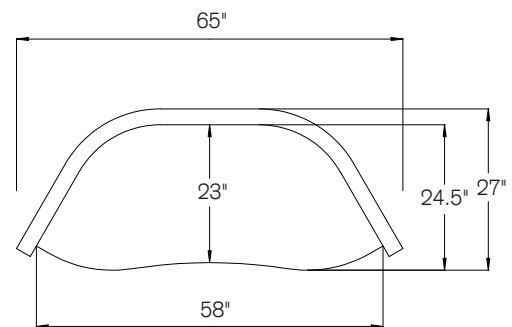
WZ/HW Mobile acoustic workstation

Weight

120 lbs

Dimensions

Total height	57 "
Total width	73.5 "
Total depth	26 "
— Table-top	
Width at widest point	66 "
Depth at deepest point	23 "



Fabric lengths

Inner & outer body	20 foot 1 "
Inner body only	12 foot 2 "
Outer body only	10 foot 10 "

General

Minimum order quantity

2

Warranty

5 years, under normal wear and tear conditions

Return policy

No returns accepted. Please ensure fabric choices are correct when placing your order.

Materials

Frame: Wood frame clad with layered CMHR foam

Caster: Rubber wheels, steel leveling pin, injection molded plastic components

Casters

Waltzer features Jewel castor, a patent-pending castor which facilitates locking of both the wheels and axis for maximum stability.

Code

WZ/HSC Mobile acoustic screen

Weight

90 lbs

Dimensions

Total height 57 "

Total width 74 "

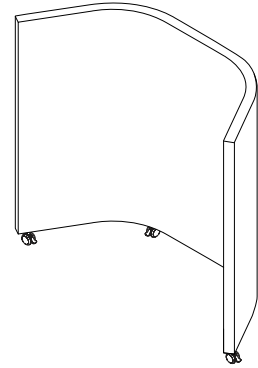
Total depth 26 "

Fabric lengths

Inner & outer body 20 foot 1 "

Inner body only 12 foot 2 "

Outer body only 10 foot 10 "



Packaged dimensions and weights

—Waltzer high back

Overall dimensions

70 x 30 x 63 " (includes pallet)

Net weight

153 lbs

Gross weight

228 lbs (including packaging and pallet)

—Waltzer work

Overall dimensions

70 x 30 x 63 " (includes pallet)

Net weight

120 lbs

Gross weight

195 lbs (including packaging and pallet)

—Waltzer screen

Overall dimensions

70 x 30 x 63 " (includes pallet)

Net weight

90 lbs

Gross weight

165 lbs (including packaging and pallet)

Weight Class 250

**For any unit with Camira Blazer Quilt fabric
add 3 lbs to weight**

Fabrics

T1 Finishes

- Camira — Blazer
- Gabriel — Europost 2
- Morbern — Maverick
- CF Stinson — Fuse 2.0
- Mayer — Hexagon
- Maharam — Facet

T2 Finishes

Customers own material

Contact info

Inquiries

hello@muzo-works.com

Purchase orders

sales@muzo-works.com

360 Kiwanis Blvd,
West Hazleton, PA 18202

(800) 670-2578

muzo-works.com