

muzo

Waltzer® (high back)

General

Minimum order quantity

2

Warranty

5 years, under normal wear and tear conditions

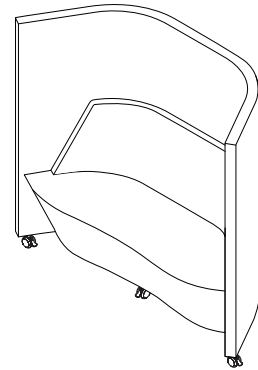
Return policy

No returns accepted. Please ensure fabric choices are correct when placing your order.

Materials

Frame: Wood frame clad with layered CMHR foam

Caster: Rubber wheels, steel pin, injection molded plastic components



Casters

Waltzer features Jewel castor, a patent-pending castor which facilitates locking of both the wheels and axis for maximum stability.

Code

WHBSF High back mobile sofa

Weight

153 lbs

Dimensions

Total height	56.5"
Total width	73.5"
Total depth	26"
Floor to seat height	18.5"
Inner seat back height	14"
Seat depth	18.5 - 21"
Seat width	66 "

Fabric lengths

Inner & outer body	20 foot 1 "
Seat & seat back	10 foot 6 "
Inner body only	12 foot 2 "
Outer body only	10 foot 10 "

General

Minimum order quantity

2

Warranty

5 years, under normal wear and tear conditions

Return policy

No returns accepted. Please ensure fabric choices are correct when placing your order.

Materials

Frame: Wood frame clad with layered CMHR foam

Caster: Rubber wheels, steel leveling pin, injection molded plastic components

Table-top: Particle board substrate with laminate finish

Casters

Waltzer features Jewel castor, a patent-pending castor which facilitates locking of both the wheels and axis for maximum stability.

Code

WHBWS Mobile acoustic workstation

Weight

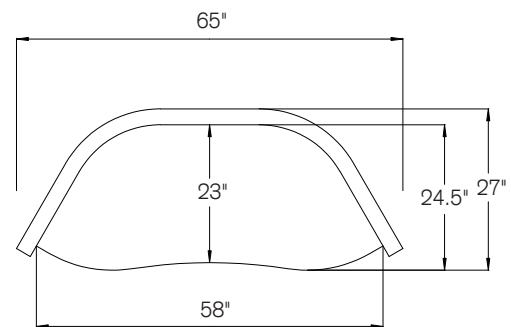
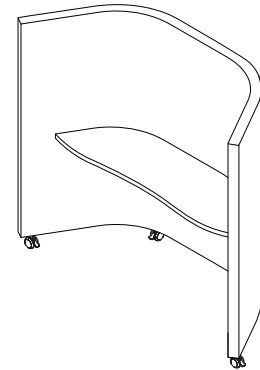
120 lbs

Dimensions

Total height	57 "
Total width	73.5 "
Total depth	26 "
— Table-top	
Width at widest point	66 "
Depth at deepest point	23 "

Fabric lengths

Inner & outer body	20 foot 1 "
Inner body only	12 foot 2 "
Outer body only	10 foot 10 "



General

Minimum order quantity

2

Warranty

5 years, under normal wear and tear conditions

Return policy

No returns accepted. Please ensure fabric choices are correct when placing your order.

Materials

Frame: Wood frame clad with layered CMHR foam

Caster: Rubber wheels, steel leveling pin, injection molded plastic components

Casters

Waltzer features Jewel castor, a patent-pending castor which facilitates locking of both the wheels and axis for maximum stability.

Code

WHBSC Mobile acoustic screen

Weight

90 lbs

Dimensions

Total height 57 "

Total width 74 "

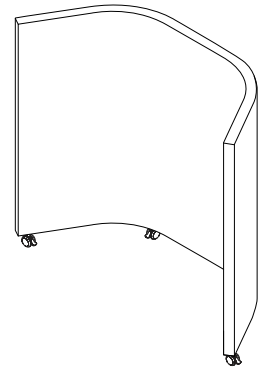
Total depth 26 "

Fabric lengths

Inner & outer body 20 foot 1 "

Inner body only 12 foot 2 "

Outer body only 10 foot 10 "



Packaged dimensions and weights

—Waltzer high back

Overall dimensions

70 x 30 x 63 " (includes pallet)

Net weight

153 lbs

Gross weight

228 lbs (including packaging and pallet)

—Waltzer work

Overall dimensions

70 x 30 x 63 " (includes pallet)

Net weight

120 lbs

Gross weight

195 lbs (including packaging and pallet)

—Waltzer screen

Overall dimensions

70 x 30 x 63 " (includes pallet)

Net weight

90 lbs

Gross weight

165 lbs (including packaging and pallet)

Weight Class 250

**For any unit with Camira Blazer Quilt fabric
add 3 lbs to weight**

Fabrics

Recommended Fabrics

Camira Blazer

Fabric cards available from

www.camirafabrics.com/fabrics-and-samples/blazer

Contact info

Inquiries

hello@muzo-works.com

Purchase orders

sales@muzo-works.com

72 Hillside Drive, Drums,
PA 18222, USA

(570) 788 0888

muzo-works.com