

General

Minimum order quantity

None

Warranty

5 years

Return policy

Order cancellation permitted before product ships subject to \$75-100 re-stocking fee per product

Materials

Frame: Powder-coated aluminum legs

Outdoor surface: Iroko wood

Indoor surface: FSC birch ply

Code

EDGE/8TAB	8 seater table
EDGE/6 TAB	6 seater table
EDGE/4BEN	4 seater bench
EDGE/3BEN	3 seater bench

Options

Power & data with in leg cable management (not for outside use)

Bolt down brackets

Non-standard RAL colors

Bespoke sizes & surfaces

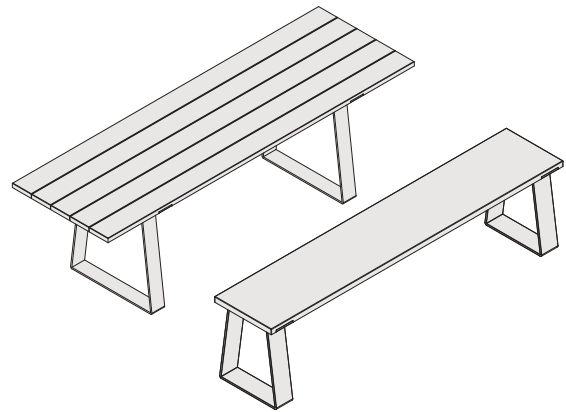
Laminate or veneer on birch plywood

Parasol hole

Options

FISP accredited

86% Recycled aluminium



Finishes

Outside wood surface



Solid Iroko

Indoor
Coated plywood



Pastel Blue
RAL 5024



Oxide Red
RAL 3009



Cream
RAL 9001



Agate Gray
RAL 7038



Dust Gray
RAL 7037



Black
RAL 9004



Light Pink
RAL 3015



Birch Ply

Indoor/Outdoor
frame finish



Sable
BS 04-B-21



Oxide Red
RAL 3009



Cream
RAL 9001



Agate Gray
RAL 7038



Light Blue
BS 18-C-35



Black
RAL 9004



Bronze



Gunmetal

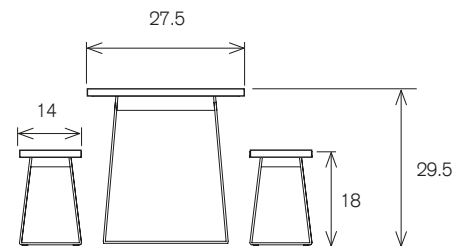
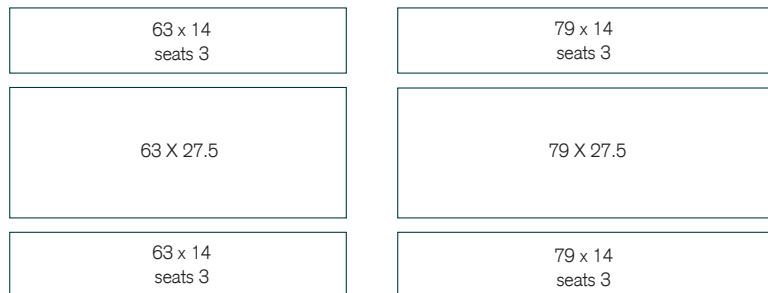
Frames can be specified in any RAL color

Dimensions & Weight

Two standard size options (dimensions in inches and weight in pounds)

Table	Width	Depth	Height	Weight
EDGE/6TAB	63"	27.5"	29.5"	91 lbs
EDGE/8TAB	79"	27.5"	29.5"	108 lbs

Bench	Width	Depth	Height	Weight
EDGE/3BEN	63"	14"	18"	45 lbs
EDGE/4BEN	79"	14"	18"	58 lbs



Contact info

Inquiries

hello@muzo-works.com

Purchase orders

sales@muzo-works.com

360 Kiwanis Blvd,
West Hazleton, PA 18202

(800) 670-2578

muzo-works.com