

# muzo

## Alfresco Bench

### General

---

#### Uses

Residential | Canteens | Terraces | Gardens

#### Warranty

10 years

#### Return policy

Full payment will still be required for orders cancelled after 7 days.

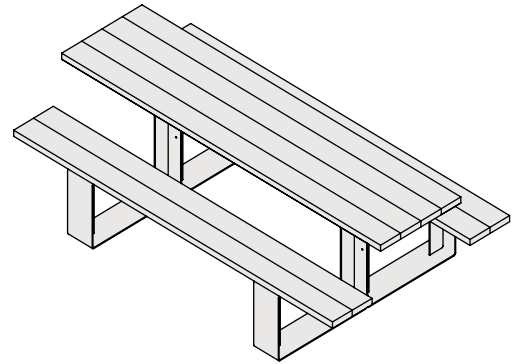
#### Materials

Frames: Clear lacquer protected Brushed Stainless Steel

Tops Outdoors: Polyester powder-coated aluminum, or Untreated Iroko Hardwood

Tops Indoors: lacquered/stained Birch Ply (inside only).

Custom Top Options: Thermoformed Wood



#### Code

AlfrescoBench/200 8 seater

AlfrescoBench/240 10 seater

#### Options

Non-standard colors.

Powder-coat finished frame.

#### Environmental

FISP accredited

Durable materials

#### Installation

Assembly is required for this product.

Instructions, diagrams and fixings are supplied.

Please be careful when removing wrapping to avoid sharp implements damaging the surface.

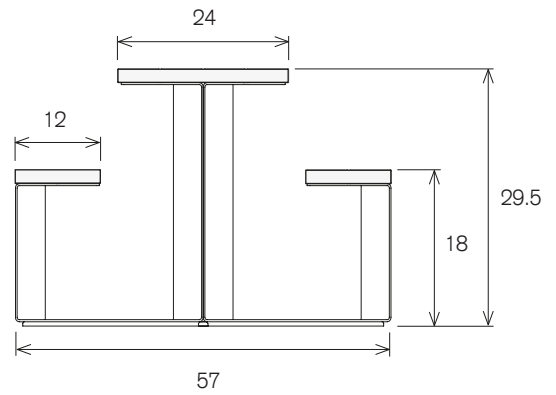
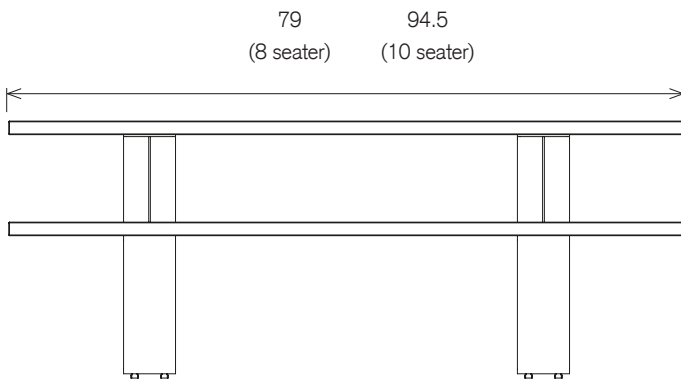
# muzo

## Alfresco Bench

### Dimensions & Weight

---

Table	Seats	Width	Depth	Height	Weight
Alfresco Bench/200	8	79"	57"	29.5"	298 lbs
Alfresco Bench/240	10	94.5"	57"	29.5"	309 lbs



## Table Top & Bench Seat Finishes

---

Outside wood  
surface



Solid Iroko

Indoor  
Coated plywood



Pastel Blue  
RAL 5024



Oxide Red  
RAL 3009



Cream  
RAL 9001



Agate Gray  
RAL 7038



Dust Gray  
RAL 7037



Black  
RAL 9004



Light Pink  
RAL 3015



Birch Ply

Frame



Brushed stainless steel

Contact info

---

Inquiries

[hello@muzo-works.com](mailto:hello@muzo-works.com)

Purchase orders

[sales@muzo-works.com](mailto:sales@muzo-works.com)

360 Kiwanis Blvd,  
West Hazleton, PA 18202

(800) 670-2578

[muzo-works.com](http://muzo-works.com)