

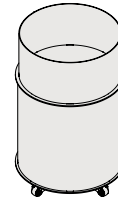
General

Uses

Offices | Educational | Canteens | Terraces | Gardens

Warranty

5 years provided that products are cleaned and maintained in accordance with our advice and have not been misused.



Return policy

Full payment will still be required for orders cancelled after 7 days.

Materials

Polyester powder-coated aluminum.

Options

Unlimited RAL color options are available for bespoke design schemes and branding.

Environmental

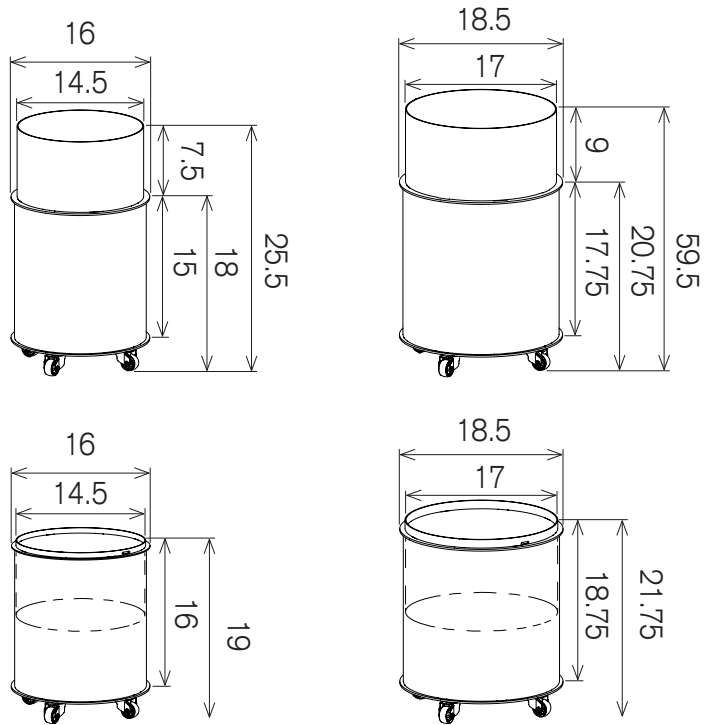
FISP accredited
100% recyclable
Durable materials
86% recycled aluminium
Economical to re-paint

Installation

If used with living plants, a liner or container is required.

Dimensions & Weight

Planter	Diameter	Height	Weight
Stakstore/1	16"	25.5"	11 lbs
Stakstore/2	18"	29.5"	18 lbs



Finishes

Frame
Powder coat



Gunmetal Light Blue Sable Cream



Bronze Black Oxide Red Agate Gray



Anthracite Gray

Contact info

Inquiries

hello@muzo-works.com

Purchase orders

sales@muzo-works.com

360 Kiwanis Blvd,
West Hazleton, PA 18202

(800) 670-2578

muzo-works.com