

## General

---

### Uses

Residential | Canteens | Terraces | Gardens

### Warranty

5 years

### Return policy

Full payment will still be required for orders cancelled after 7 days.

### Materials

Polyester powder-coated aluminum

### Code

PINGPONG/IN	Indoor
PINGPONG/OUT	Outdoor

### Options

Non-standard colors.

Bolt-down brackets (fixings not supplied).

### Installation

Assembly is required for this product.

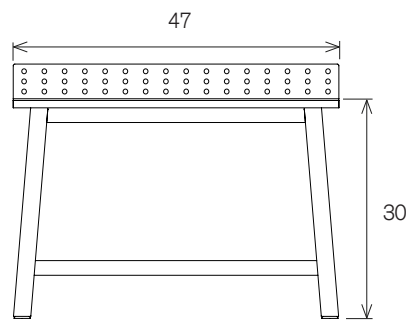
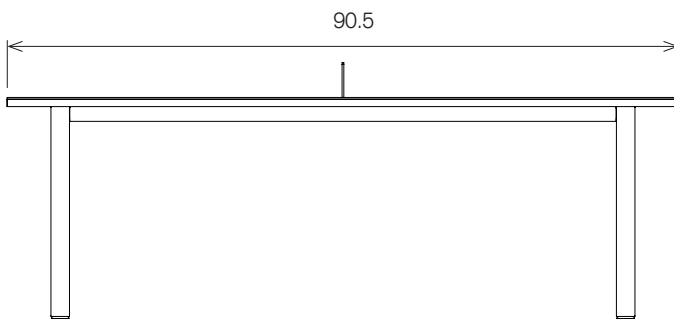
Instructions, diagrams and fixings are supplied.

Please be careful when removing wrapping to avoid sharp implements damaging the surface.

## Dimensions & Weight

---

Table	Width	Depth	Height	Weight
PINGPONG/IN	90.5"	47"	30"	177 lbs
PINGPONG/OUT	90.5"	47"	30"	177 lbs



## Finishes

---

Lacquer seal

			
Sable BS 04-B-21	Oxide Red RAL 3009	Cream RAL 9001	Agate Gray RAL 7038
			
Light Blue BS 18-C-35	Black RAL 9004	Bronze	Gunmetal

Contact info

---

Inquiries

[hello@muzo-works.com](mailto:hello@muzo-works.com)

Purchase orders

[sales@muzo-works.com](mailto:sales@muzo-works.com)

360 Kiwanis Blvd,  
West Hazleton, PA 18202

(800) 670-2578

[muzo-works.com](http://muzo-works.com)