

General

Uses

Offices | Educational | Canteens | Terraces | Gardens

Warranty

5 years provided that products are cleaned and maintained in accordance with our advice and have not been misused.

Return policy

Full payment will still be required for orders cancelled after 7 days.

Materials

Polyester powder-coated aluminum

Options

Non-standard sizes.

Non-standard colors.

Bolt-down brackets (fixings not supplied).

Environmental

FISP accredited

100% recyclable

Durable materials

86% recycled aluminium

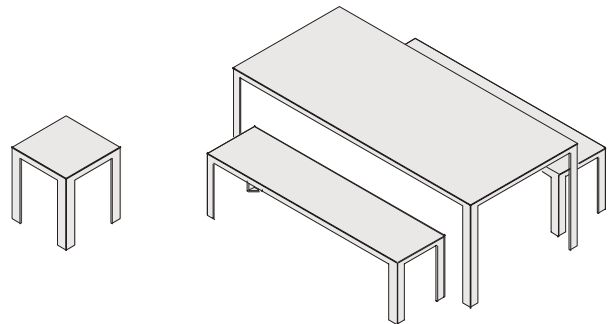
Economical to re-paint

Installation

Assembly is not required for this product.

Check access to ensure this one piece product can be installed without difficulty.

Please be careful when removing wrapping to avoid sharp implements damaging the surface.



Dimensions & Weight

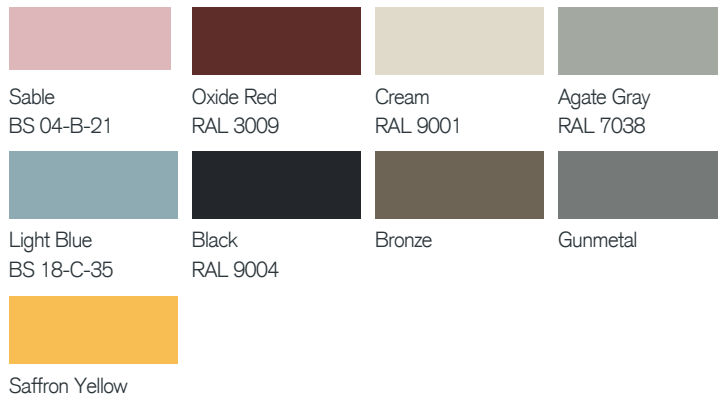
| Table | Width | Depth | Height | Seats |
|-------|-------|-------|--------|-------|
| 1 | 71" | 35.5" | 29.5" | 6 |
| 2 | 90.5" | 35.5" | 29.5" | 8 |

| Bench | Width | Depth | Height | Seats |
|-------|-------|-------|--------|-------|
| 1 | 59" | 16" | 18" | 3 |
| 2 | 79" | 16" | 18" | 4 |

| Stool | Width | Depth | Height | Seats |
|-------|-------|-------|--------|-------|
| 1 | 16" | 16" | 18" | 1 |

Finishes

Frame
Powder coat



Contact info

Inquiries

hello@muzo-works.com

Purchase orders

sales@muzo-works.com

360 Kiwanis Blvd,
West Hazleton, PA 18202

(800) 670-2578

muzo-works.com