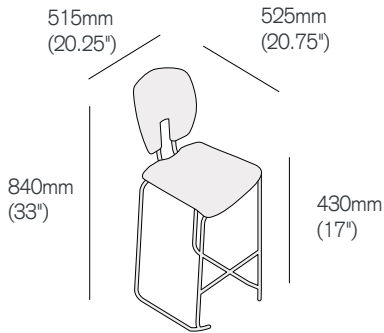


Mix stool 1

Stacking stool

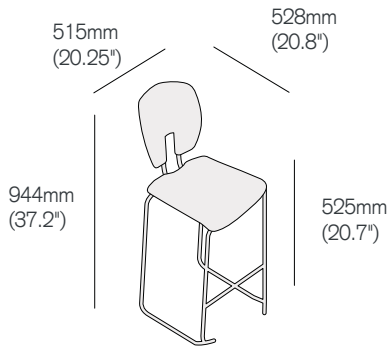


Seat MIXS/1

Color	162
Beech veneer	205
Oak veneer	234
Cherry veneer	268

Mix stool 2

Stacking stool

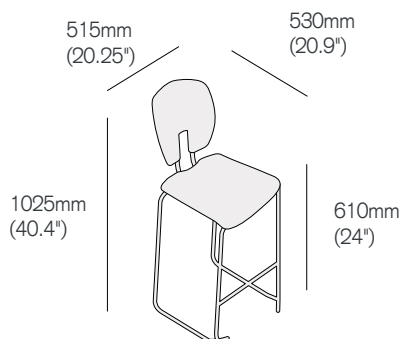


Seat MIXS/2

Color	164
Beech veneer	207
Oak veneer	236
Cherry veneer	270

Mix stool 3

Stacking stool

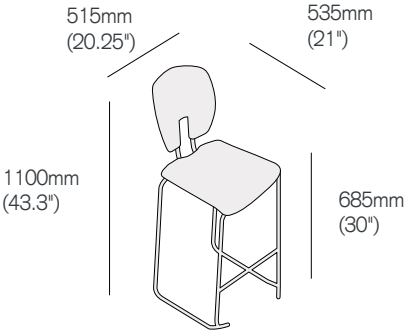


Seat MIXS/3

Color	166
Beech veneer	209
Oak veneer	238
Cherry veneer	272

Mix stool 4

Stacking stool



Seat	MIXS/4
Polypropylene	168
Beech veneer	211
Oak veneer	240
Cherry veneer	274

3 step process selecting finishes

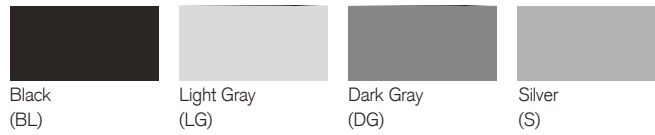
After selecting if you'd like Mix Chair or Stool and the varying heights, it's then time to select the finishes.

1. Begin by selecting the frame finish and add the color code that's inside the brackets.
2. Then move onto selecting the seat back, again adding the code that's inside the brackets.
3. To finish the code, we need to select the Seat finish, again just add the code that's inside the brackets.

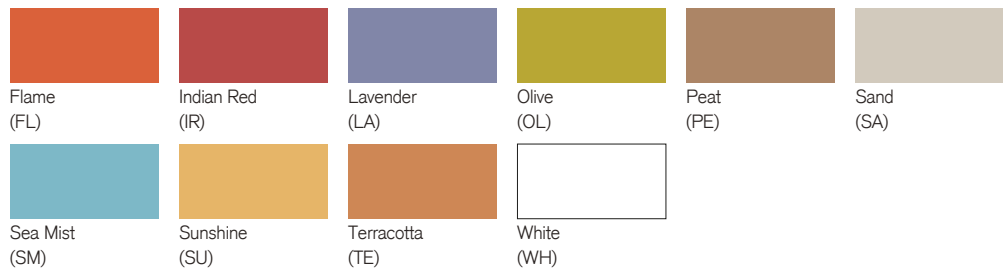
As an example, say we have already selected the MIX/5 seat option, and we'd like it with a Dark Gray frame, an Indian Red seat back and a Beech Veneer seat.

This gives us our final code: MIX/5/DG/IR/BV

1. Frame



2. Seat Back



3. Seat

