

muzo

Flow (one screen)

General

Lead time

6-8 weeks

Minimum order quantity

4

Warranty

5 years

Return policy

No returns permitted. Please ensure you specify the correct fabric.

Materials

Aluminium frame powder coated Silver

Ceramic magnetic whiteboard

Upholstered in screen fabric

Pinnable core with particleboard

Casters

Flow features Jewel caster, a patent-pending caster which facilitates locking of both the wheels and axis for maximum stability

Code

F1SPR

Weight

88¼ lbs

Dimensions

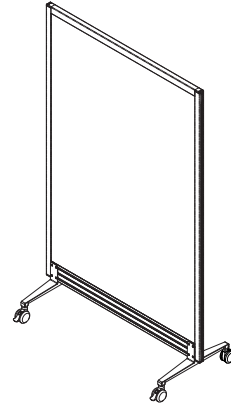
Total height 71 inch

Total width 47¼ inch

Finishes

Frame: Silver

Dry erase surface: White



muzo

Flow (one screen)

Packaged dimensions and weights

Overall dimensions

One screen per box size: 73 x 15¼ x 3¼ inch

Net weight

88¼ lbs

Gross weight

90lbs per screen + packaging

Two legs, 1 x straight short leg and 4 x Jewel casters in

1 x cardboard carton box:

OD: 21¼ x 12½ x 5¾ inch

GW: 13¼ lbs

Fabrics

Muzo's fabric supplier are www.camirafabrics.com you can find and specify swatches on their website

If you have a fabric supplier you would like to specify, please check with the Muzo office first.

muzo

Flow (two screen)

General

Lead time

6-8 weeks

Minimum order quantity

4

Warranty

5 years

Return policy

No returns permitted. Please ensure you specify the correct fabric.

Materials

Aluminium frame powder coated Silver

Ceramic magnetic whiteboard

Upholstered in screen fabric

Pinnable core with particleboard

Casters

Flow features Jewel caster, a patent-pending caster which facilitates locking of both the wheels and axis for maximum stability

Code

F2SPR

Weight

176½ lbs

Dimensions

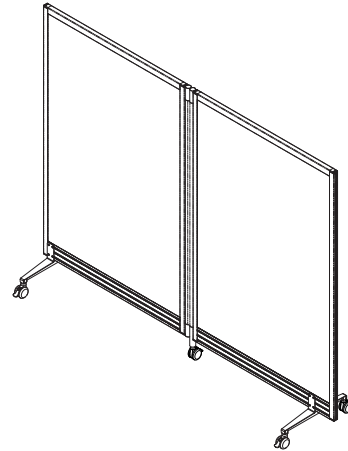
Total height 71 inch

Total width 97 inch

Finishes

Frame: Silver

Dry erase surface: White



muzo

Flow (two screen)

Packaged dimensions and weights

Overall dimensions

One screen per box size: 73 x 15¼ x 3¼ inch
(x2 boxes for F3SPR)

Net weight

88lbs per screen (x2 = 176lbs total)

Gross weight

90lbs per screen + packaging (x2 = 180lbs total)

Two legs, 1 x straight short leg and 5 x Jewel casters in
1 x cardboard carton box:

OD: 21¼ x 12½ x 5¾ inch

GW: 17¾ lbs

1 x aluminum, hinge 360 degree connecting pole:

OD: 67x 2 inch

GW: 9lbs

Fabrics

Muzo's fabric supplier are www.camirafabrics.com you can find and specify swatches on their website

If you have a fabric supplier you would like to specify, please check with the Muzo office first.

General

Lead time

6-8 weeks

Minimum order quantity

4

Warranty

5 years

Return policy

No returns permitted. Please ensure you specify the correct fabric.

Materials

Aluminium frame powder coated Silver

Ceramic magnetic whiteboard

Upholstered in screen fabric

Pinnable core with particleboard

Casters

Flow features Jewel caster, a patent-pending caster which facilitates locking of both the wheels and axis for maximum stability

Code

F3SPR

Weight

264½ lbs

Dimensions

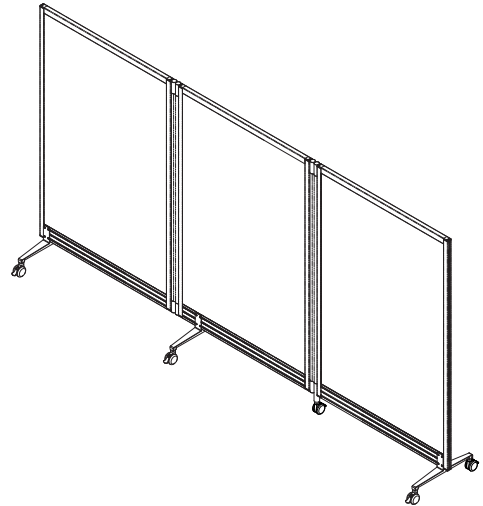
Total height 71 inch

Total width 147 inch

Finishes

Frame: Silver

Dry erase surface: White



muzo

Flow (three screen)

Packaged dimensions and weights

Overall dimensions

One screen per box size: 73 x 15¼ x 3¼ inch
(x3 boxes for F3SPR)

Net weight

88lbs per screen (x3 = 264lbs total)

Gross weight

90lbs per screen (x3 = 270lbs total)

Two legs, 1 x straight short leg and 7 x Jewel casters in
1 x cardboard carton box:

OD: 24¼ x 19¾x 5¾ inch

GW: 22lbs

2 x aluminum, hinge 360 degree connecting pole:

OD: 67 x 2 inch

GW: 9lbs (x2 = 18lbs total)

Fabrics

Muzo's fabric supplier are www.camirafabrics.com you can find and specify swatches on their website

If you have a fabric supplier you would like to specify, please check with the Muzo office first.

muzo

Flow (four screen)

General

Lead time

6-8 weeks

Minimum order quantity

4

Warranty

5 years

Return policy

No returns permitted. Please ensure you specify the correct fabric.

Materials

Aluminium frame powder coated Silver

Ceramic magnetic whiteboard

Upholstered in screen fabric

Pinnable core with particleboard

Casters

Flow features Jewel caster, a patent-pending caster which facilitates locking of both the wheels and axis for maximum stability

Code

F4SPR

Weight

352³/₄ lbs

Dimensions

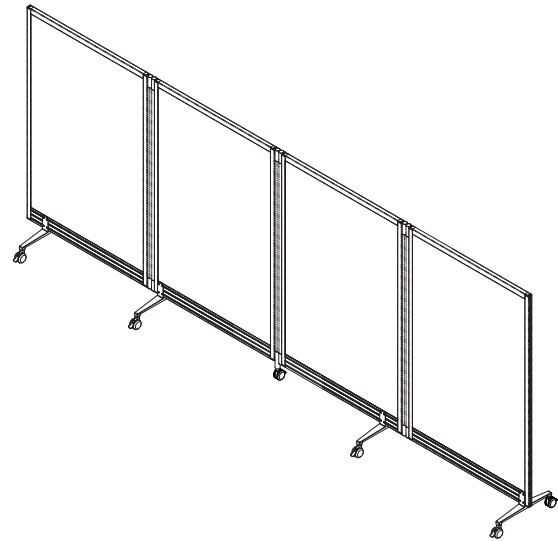
Total height 71 inch

Total width 196 ³/₄ inch

Finishes

Frame: Silver

Dry erase surface: White



muzo

Flow (four screen)

Packaged dimensions and weights

Overall dimensions

One screen per box size: 73 x 15¼ x 3¼ inch
(x4 boxes for F3SPR)

Net weight

88lbs per screen (x4 = 352lbs total)

Gross weight

90lbs per screen (x4 = 360lbs total)

Four legs, 1 x straight short leg and 9 x Jewel casters in
1 x cardboard carton box:

OD: 21¼ x 23¾ x 5¾ inch

GW: 26lbs

3 x aluminum, hinge 360 degree connecting pole:

OD: 70 x 2 inch

GW: 9lbs (x3 = 27lbs total)

Fabrics

Muzo's fabric supplier are www.camirafabrics.com you can find and specify swatches on their website

If you have a fabric supplier you would like to specify, please check with the Muzo office first.