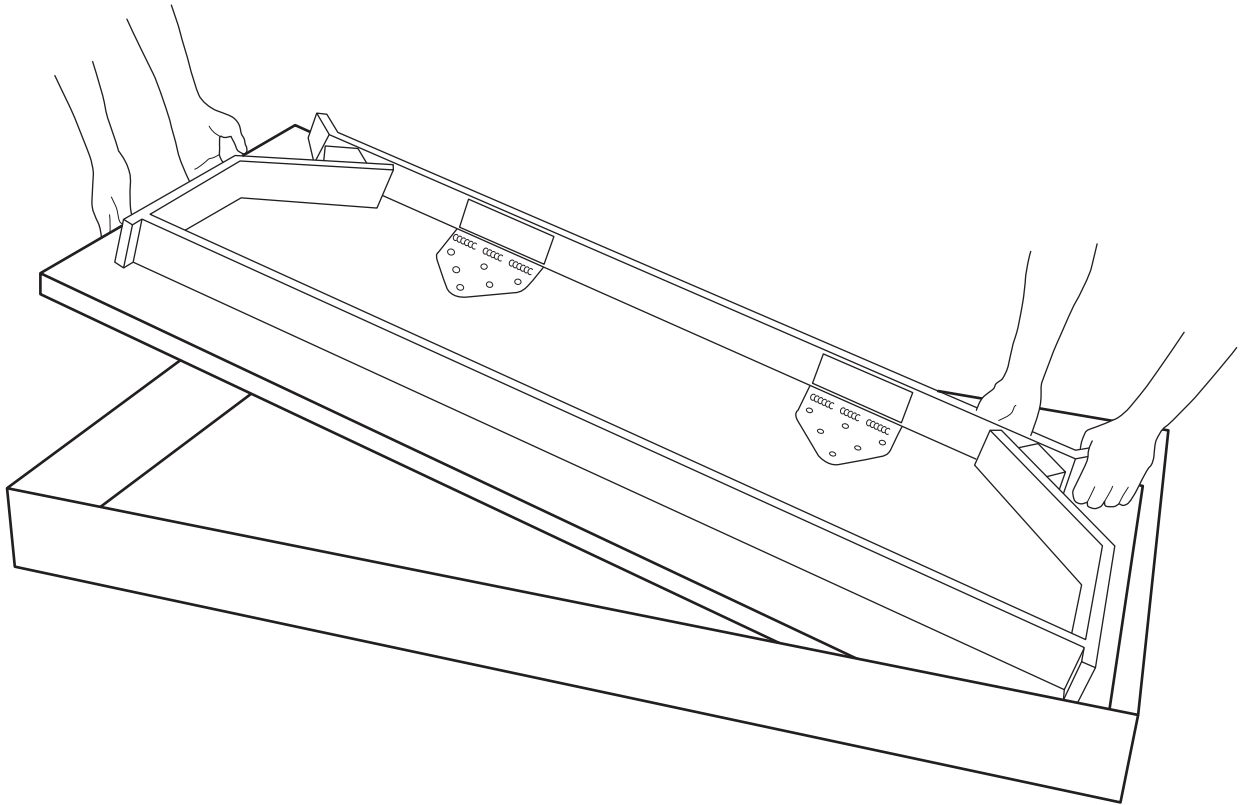


To ensure proper assembly of your **Muzo tables**, please take time to read through the steps in this **assembly guide** and follow them carefully.

# 1

Remove the table from the box.  
For ease of assembly and to avoid injury, ensure the table is lifted by two people.

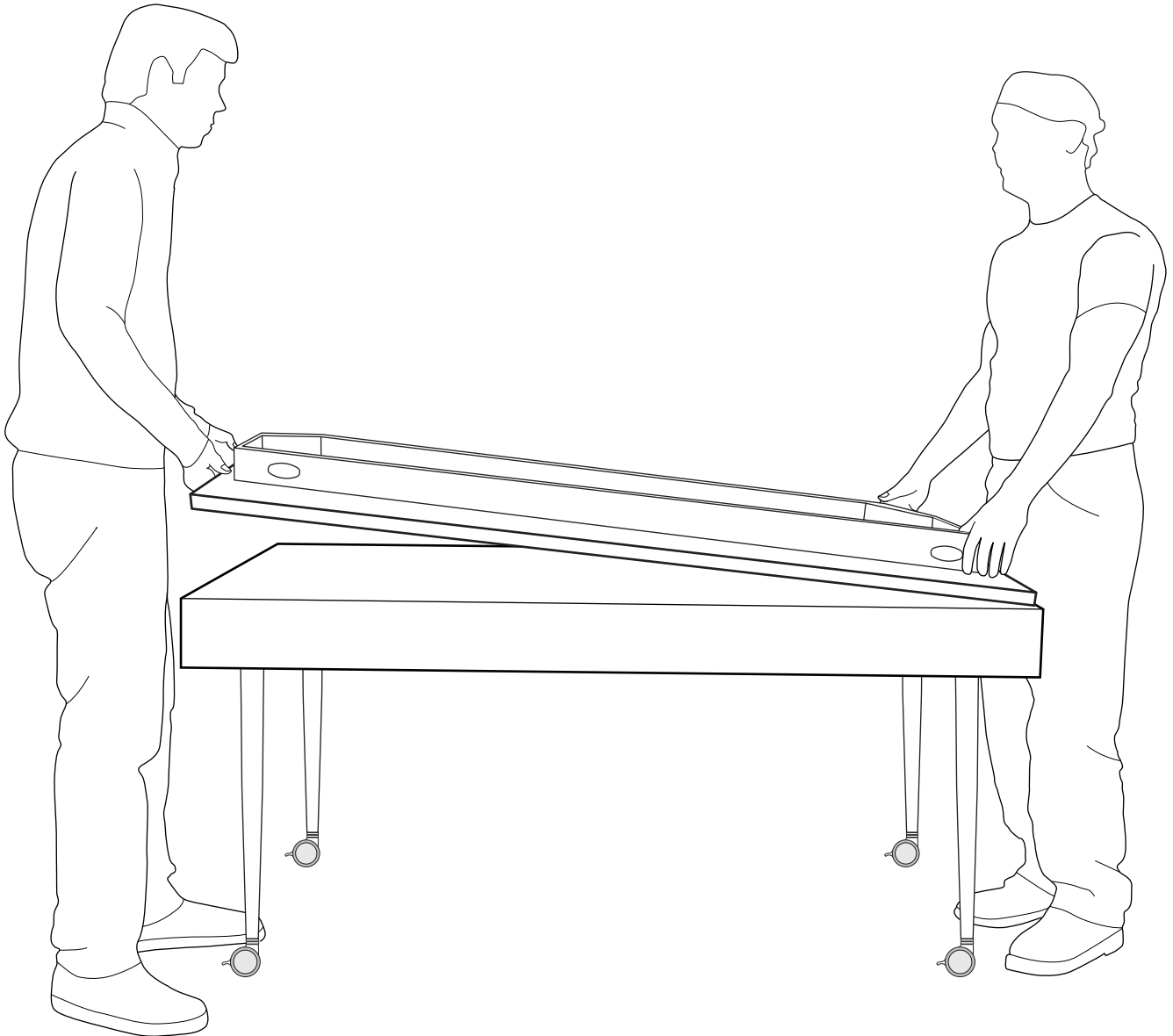


**Note:** Your table may be a different design/shape than the model shown.  
Assembly is the same for all Muzo table models.

# 2

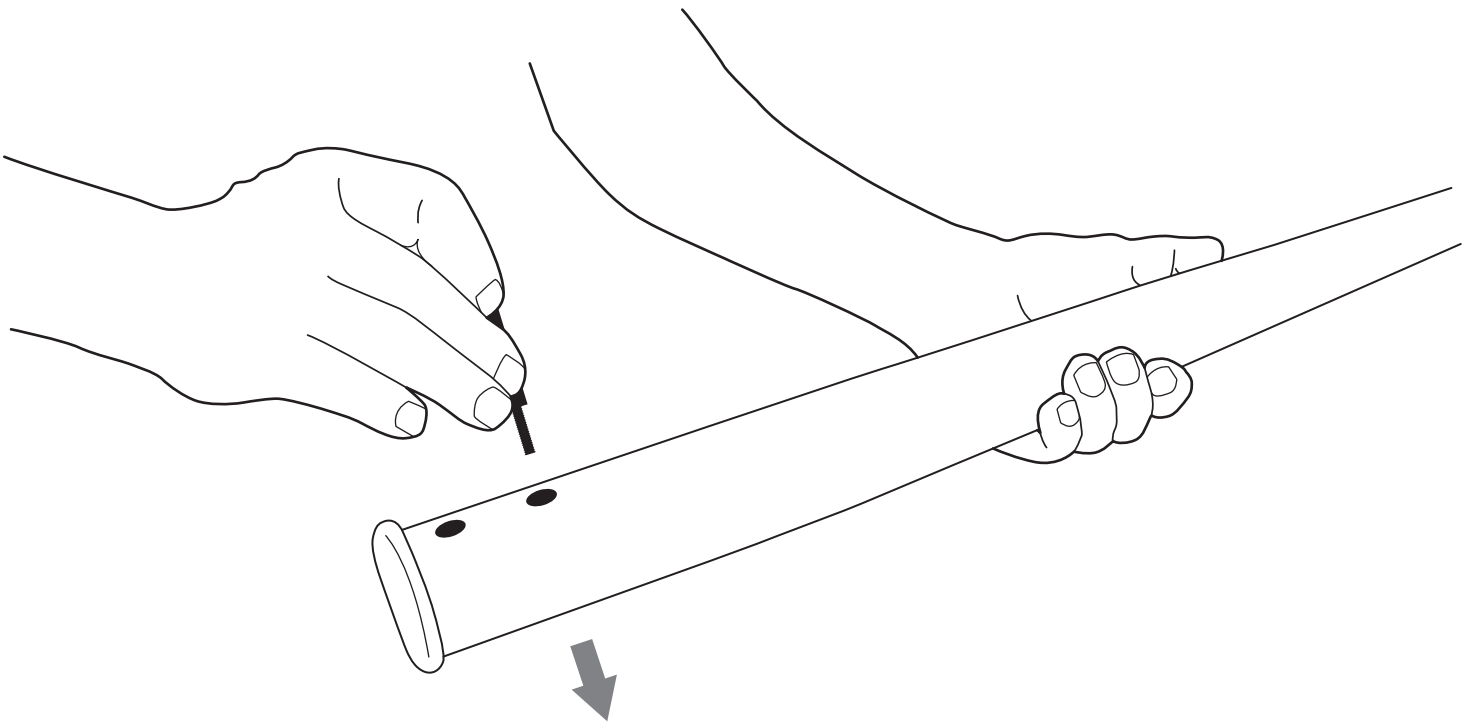
Place the table face down on a soft, clean surface to eliminate the possibility of scratching.

Note: Once the first table has been assembled, it can be used as a bench to assemble further tables. We recommend using the rectangle shape as a bench, with the box lid placed on top to avoid scratching.



# 3

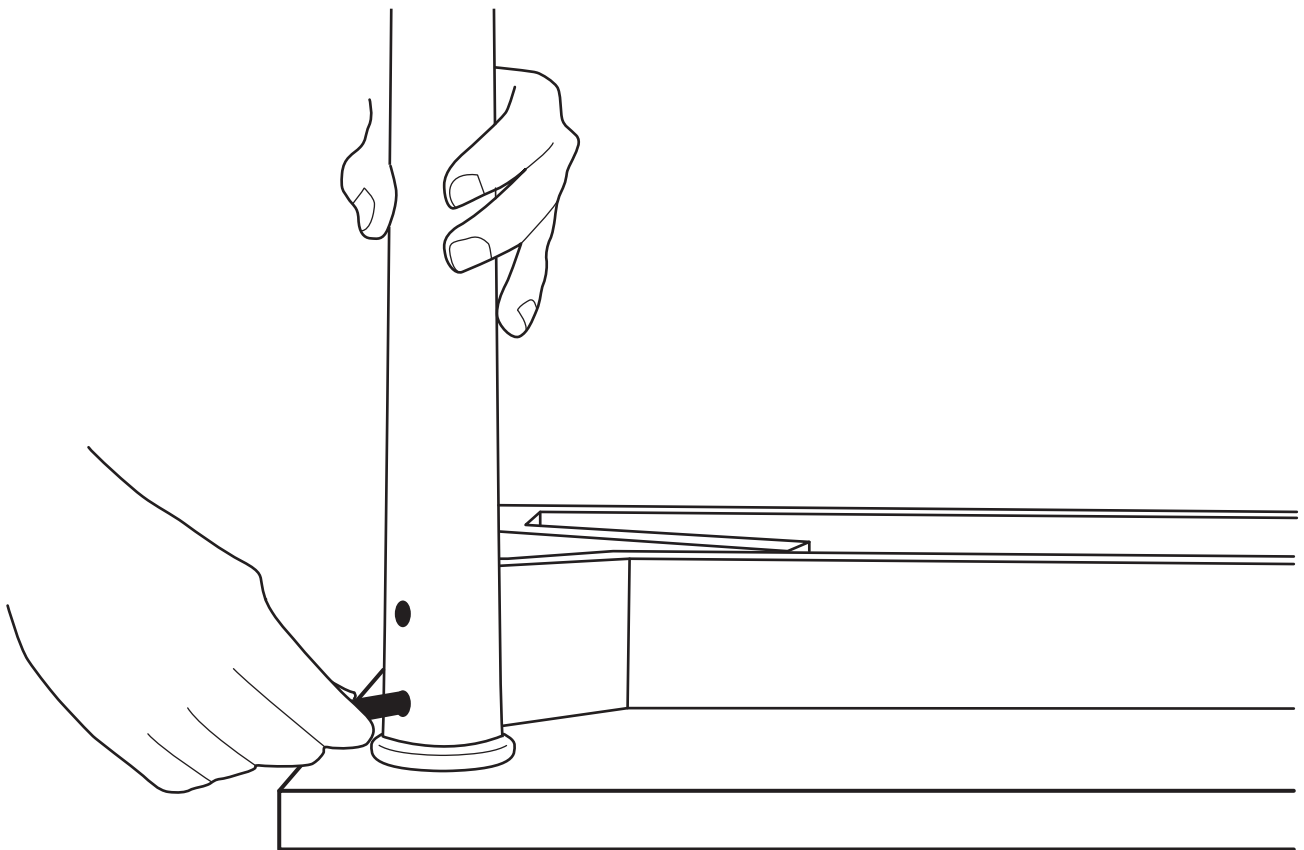
Remove a leg from the box. Insert the leg bolts through the two holes as shown, until the thread is showing on the other side.



# 4

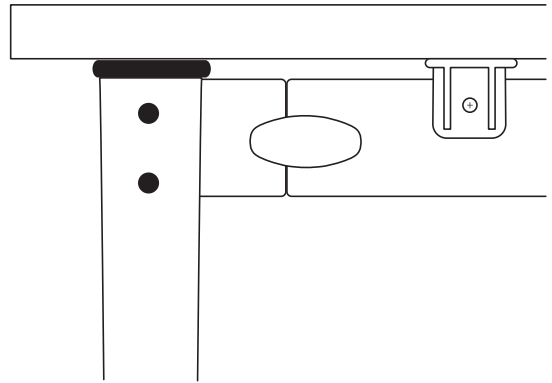
Screw the leg bolts to the frame by hand.  
Tighten with hex key provided or use a 5mm (3/8")  
hex head drill bit. Be sure to use a low number clutch  
setting on your drill. Repeat steps 3 and 4  
until all the legs are securely fastened to the frame.

Note: Extra care should be taken to  
avoid double crossing the bolt thread.



# 5

If you purchased a Muzo flip and nest table such as Kite or Mini Mobile table, check the frame to ensure the locking mechanism is in the locked (horizontal) position.



# 6

Two people should then flip over the completed table and place on the floor.



If you have any questions about assembly of your Muzo table or any other Muzo product, please contact us:

Muzo  
72 Hillside Drive  
Drums, PA 18222

(570) 788 0888  
hello@muzo-works.com