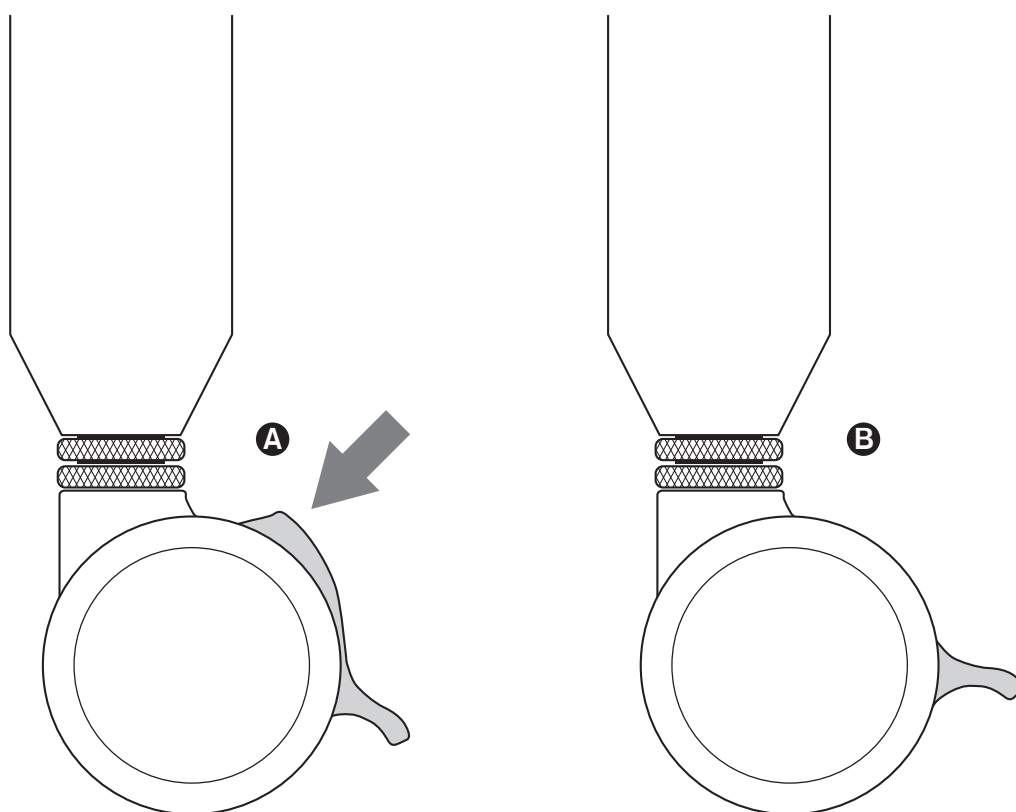


In order to help you realise the unique benefits of the **Muzo tables** we have produced this **User Guide**. We advise you to provide a copy of this guide to all users to study prior to moving and folding Muzo tables.

Moving a Muzo table

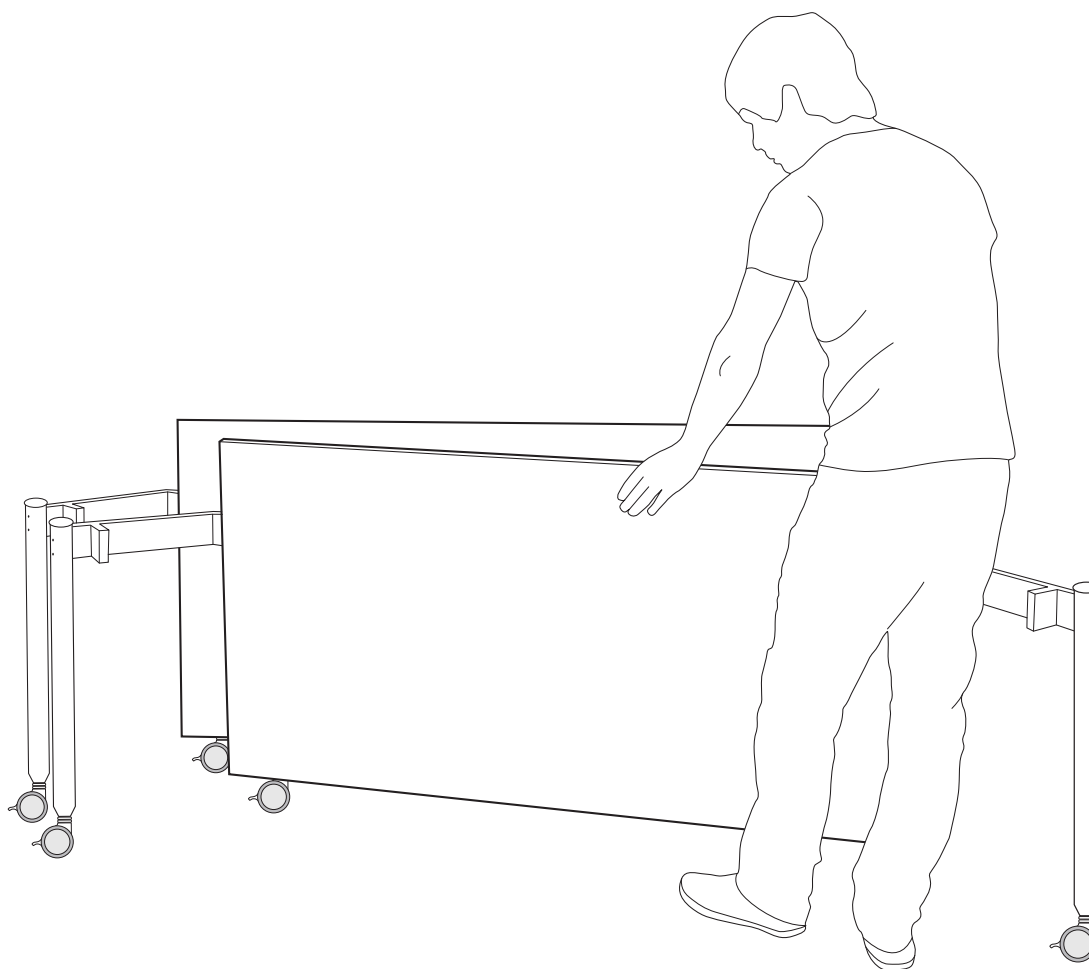
Ensure all the brakes on all 4 of the casters are unlocked. The break pad needs to be pushed down **A**

Fig **B** shows an unlocked caster



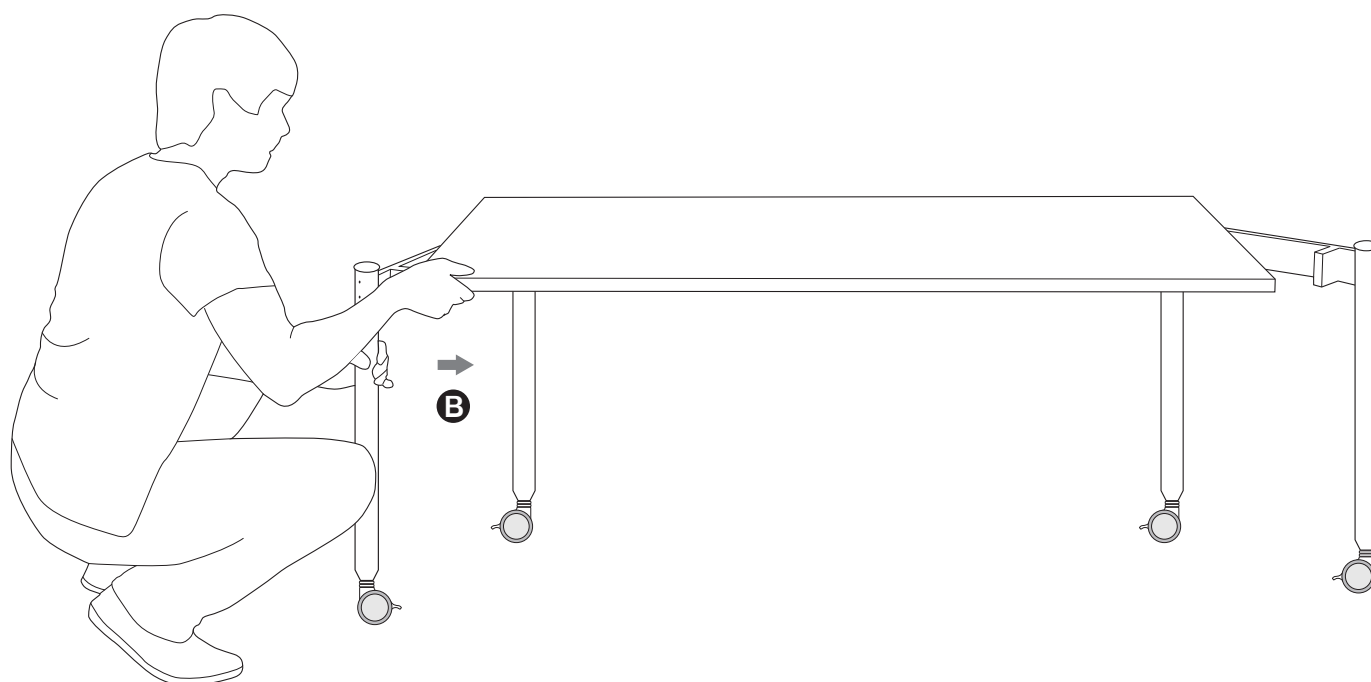
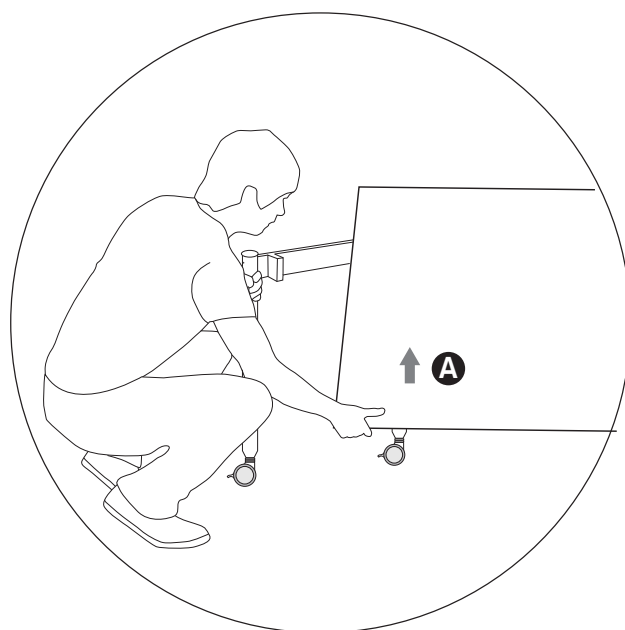
Moving a folded Muzo table

Hold one end and pull the table sideways and out. Once clear of the wall (or other folded, nested tables), stand next to the table top and push the table along, narrow end first, close to the area in the room where you wish to use it.



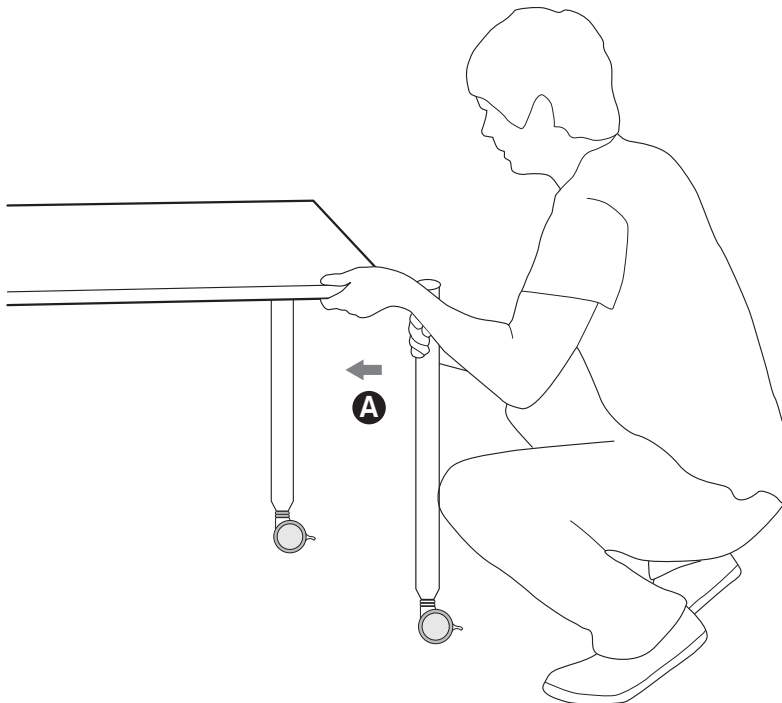
Erecting a Muzo table (part 1)

Stand in front of the table, bend your knees and place your left hand on the left front leg. Use your right hand to lift the top **A**. Swing the top up and once it is horizontal, swing the left table leg in and under the top **B**.



Erecting a Muzo table (part 2)

On the opposite leg, swap hands, support the table top with the left hand and swing the right table leg in and under the top with your right hand **A**.



Erecting a Muzo table (part 3)

Ensure both legs have met the front rail underneath the top. Bend your knees and turn the locking handle until horizontal.

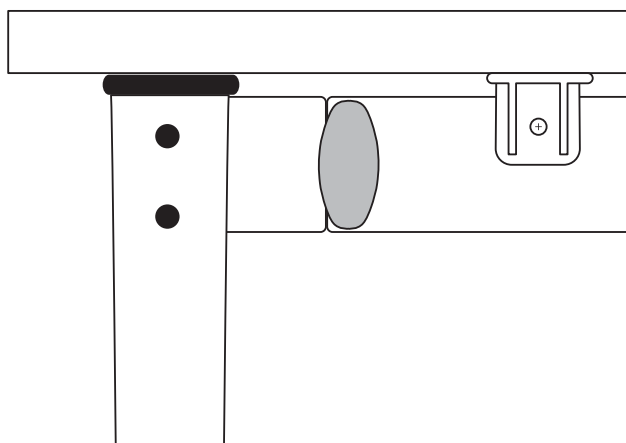
Repeat the process at the other side of the table.

Check both locking handles are in the locked position. The table can now be wheeled in this position.

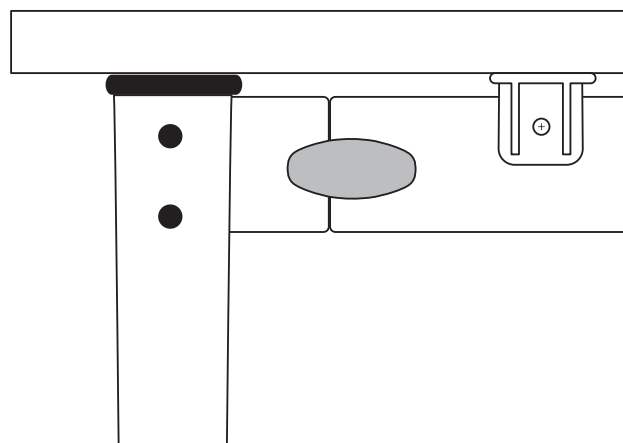
Unlocked **A**

Locked **B**

A

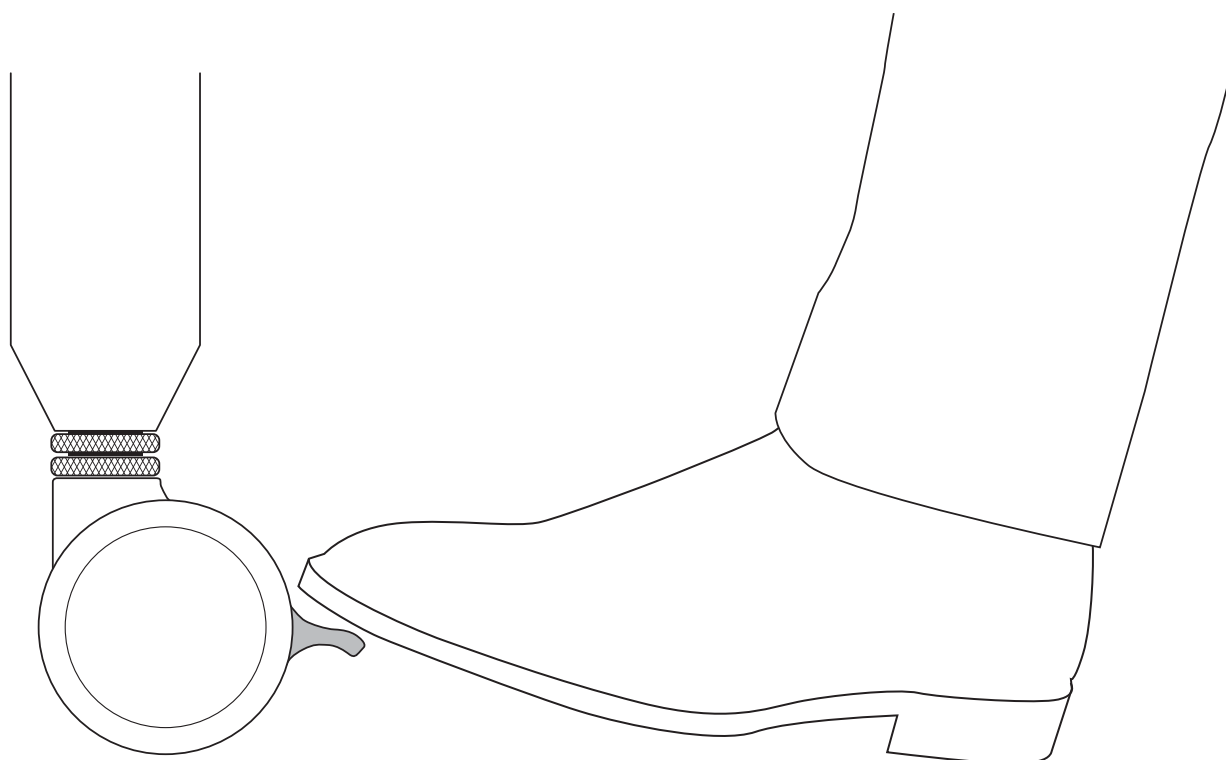


B



Erecting a Muzo table (part 4)

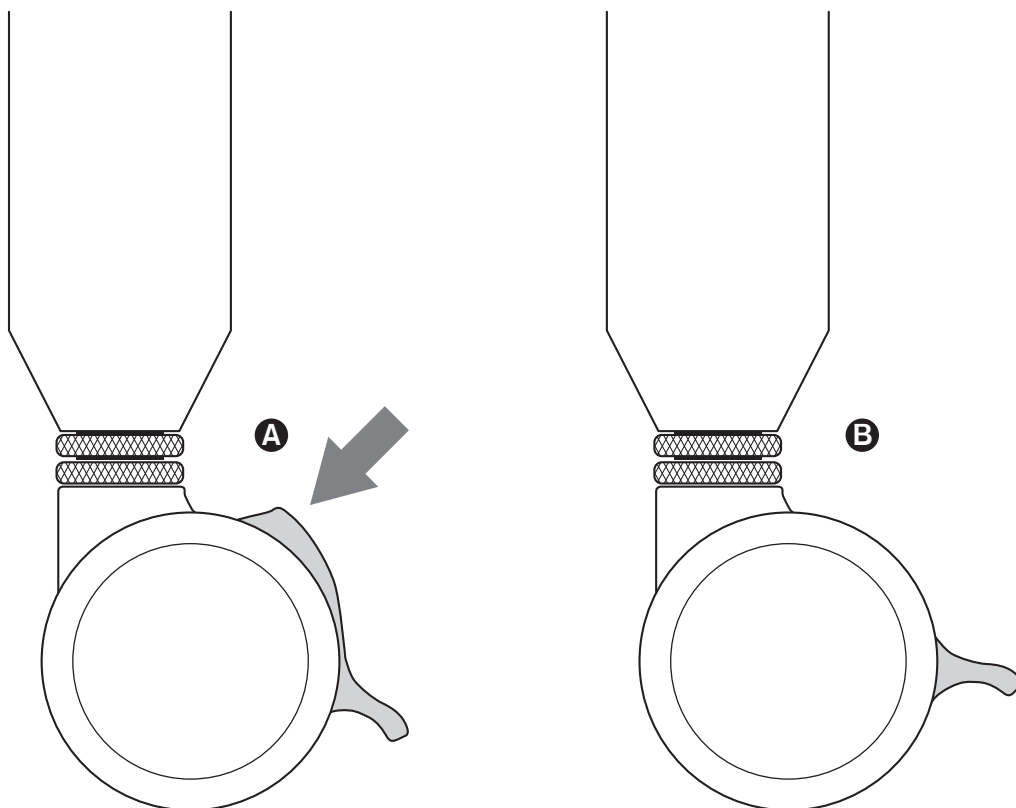
Once the table is in position, apply the brakes to the casters by gently stepping on the brake. This will hold the table in place.



Folding a Muzo table (part 1)

Ensure all the brakes on all 4 of the casters are unlocked. The break pad needs to be pushed down **A**

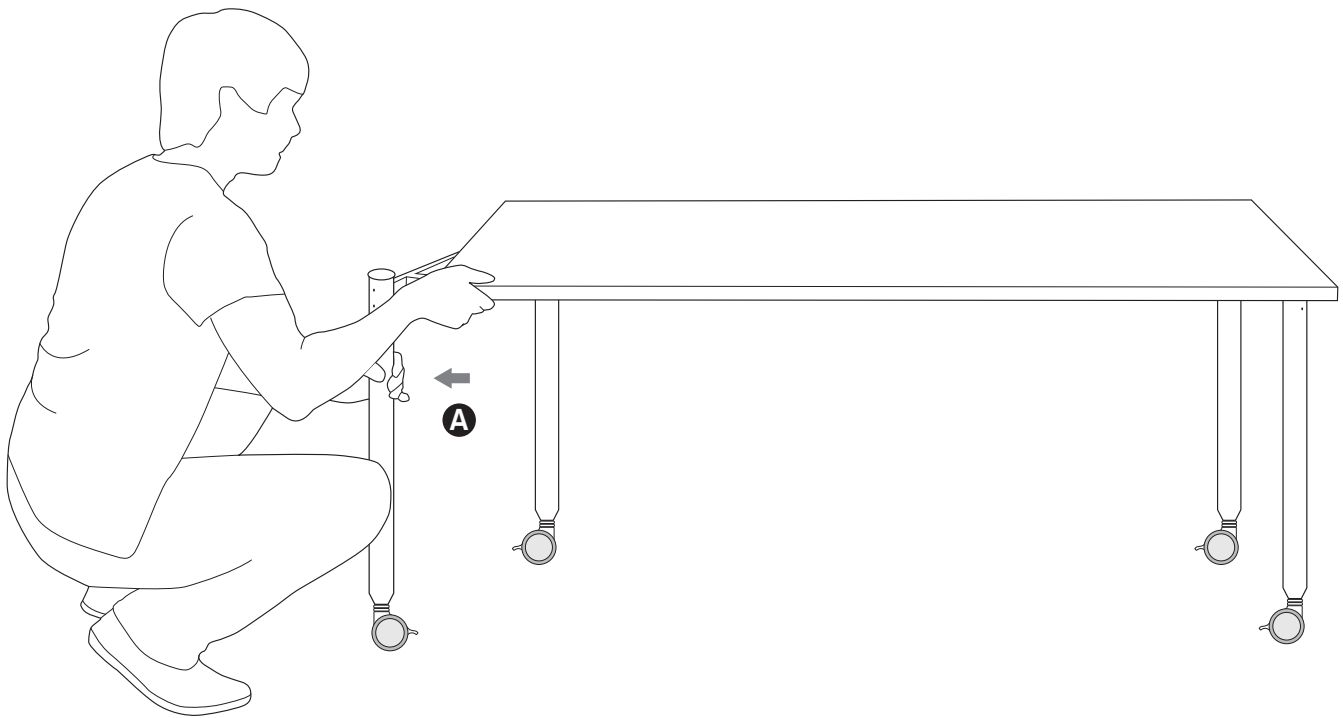
Fig **B** shows an unlocked castor



Folding a Muzo table (part 2)

Turn the left locking handle to the vertical position to unlock the leg from the front rail. The left lock will turn clockwise to its unlocked position.

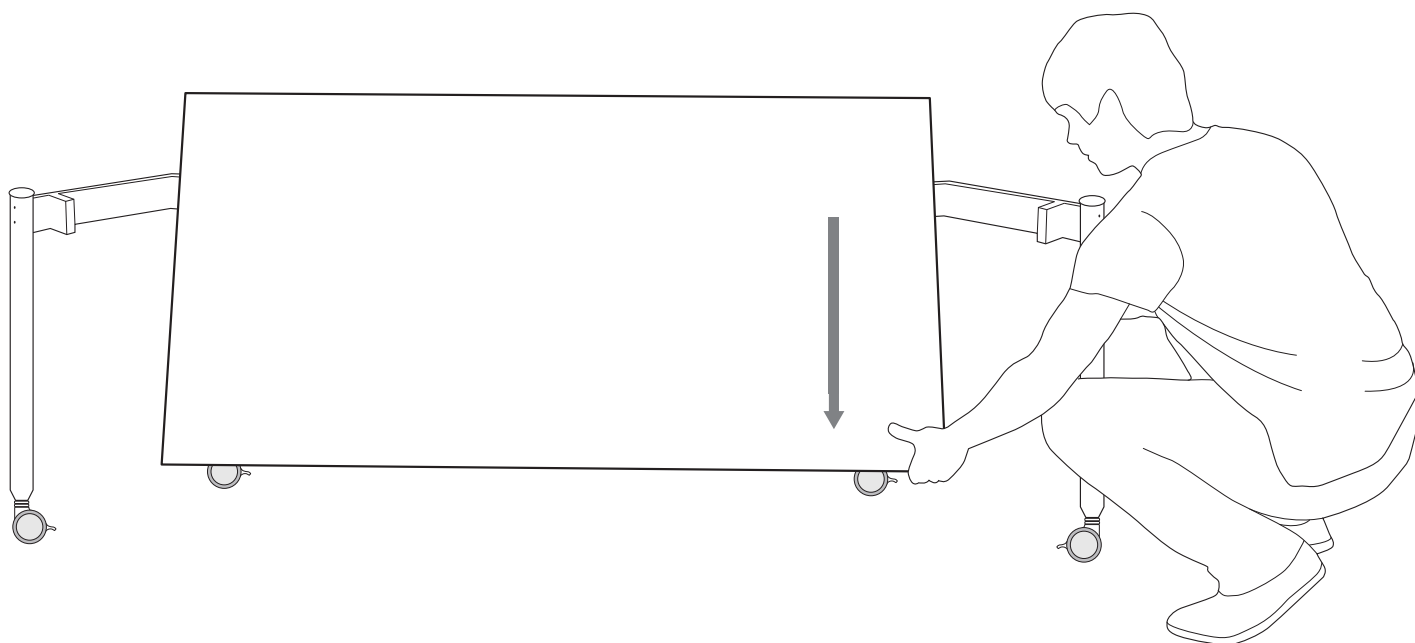
Support the table top with your right hand. Swing the left leg out and away with the left hand **A**



Folding a Muzo table (part 3)

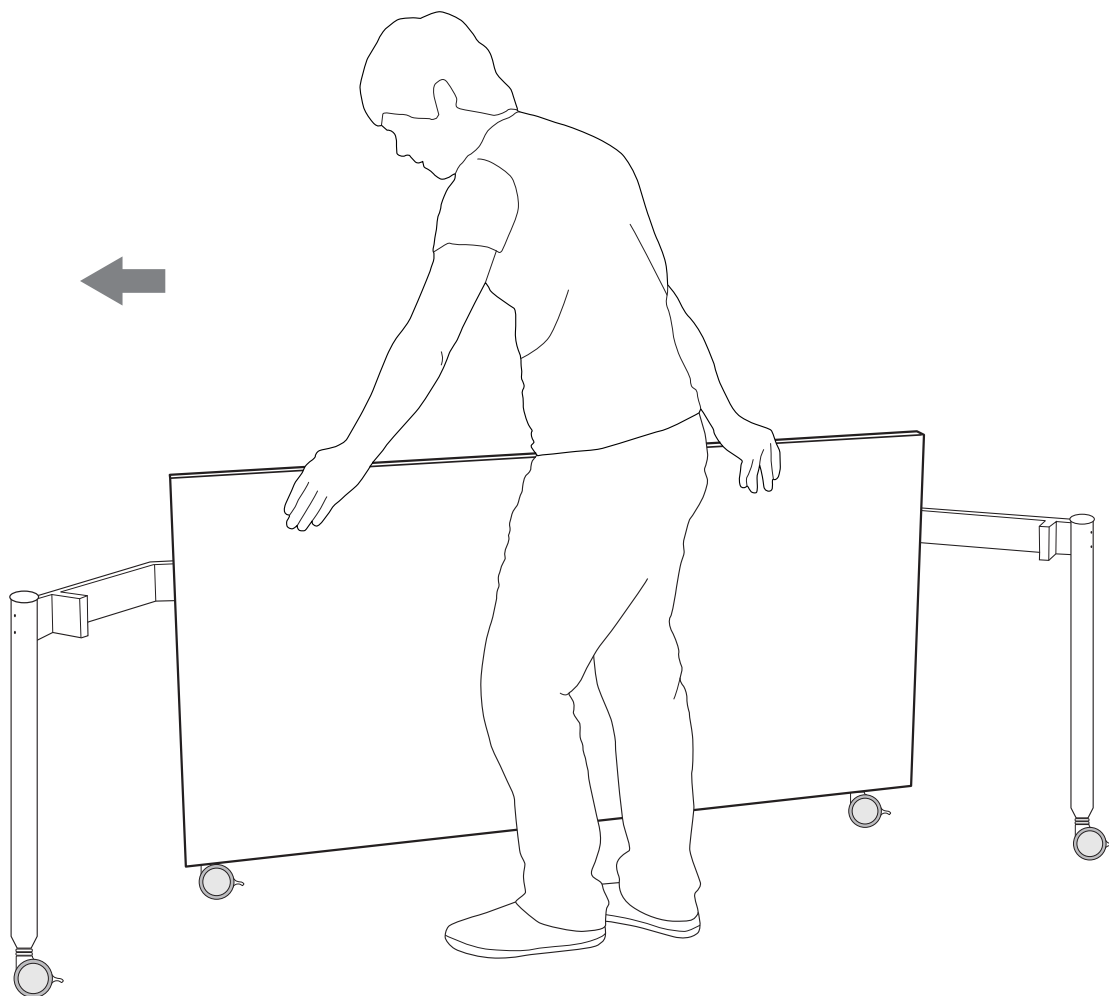
Turn the right locking handle to the vertical position to unlock the leg from the front rail. The right lock will turn counterclockwise to its unlocked position.

Support the table top with your left hand and gently lower the top. Do not let the top drop down.



Moving a folded Muzo table

Always move a folded table sideways along its narrow plain (like a crab) and do not push away from you or pull towards you as this can cause the table to topple (see p. 12 for full list of cautions)



Important Information

Do not attempt to move a table with the brakes engaged (folded or erected)

Always check the front rail handles are in the locked (horizontal) position before using a table

Do not let the table top drop down unsupported when lowering

Folded tables should be moved sideways (like a crab) with the side legs leading

Do not pull the table towards you in its folded position

Do not push the table away from you in its folded position

Do not attempt to lift a table in its folded position

Do not attempt to lift the table by the back rail in its folded position

If you have any questions about your Muzo tables or any other Muzo product, please contact us:

Muzo
72 Hillside Drive
Drums, PA 18222

(570) 788 0888
hello@muzo-works.com

Kite® table is patent protected
Kite® is a registered trademark No 2127363