

## General

---

**Lead time**

8 weeks

**Minimum order quantity**

20

**Test certificates**

BIFMA

Greenguard

TUV

GS

**Warranty**

Full 5 years guarantee when used in a standard 8hr/day environment (excluding upholstery, expendable spare parts on 1 year and replaceable materials on 2 years). When used in a 24/7 environment the guarantee is reduced to 2 years.

**Return policy**

Order cancellation permitted before product ships subject to \$75-100 re-stocking fee per product.

**Casters**

The casters are categorized as type H and suitable for carpeted floors.

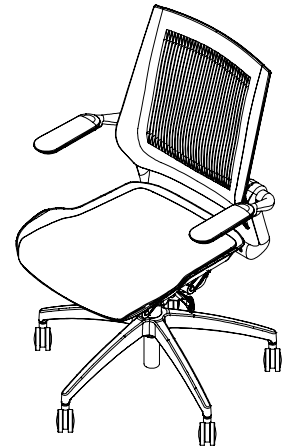
**Max user weight**

330 lbs

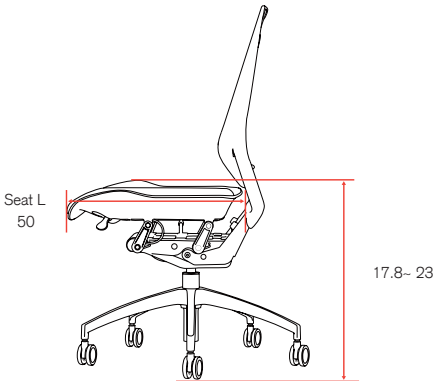
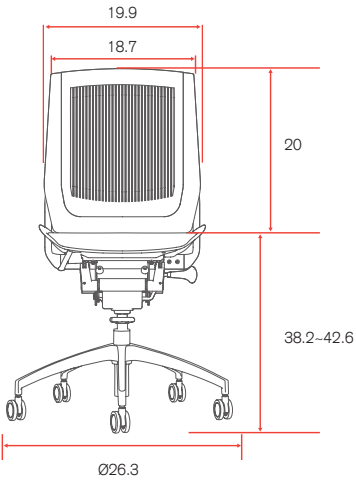
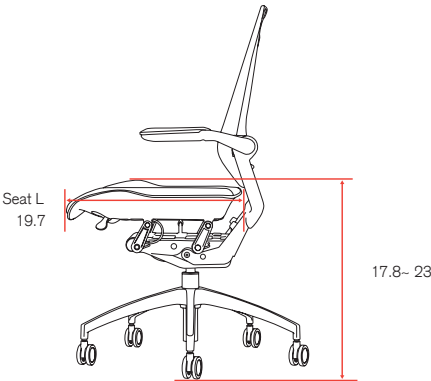
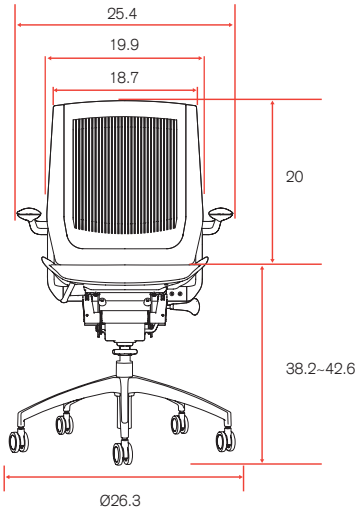
**Codes**

BFL1 Bodyflex chair without armrest

BFL2 Bodyflex chair with armrest



Dimensions



## Active Back finishes



Black/Black

Black/Gray

Green/Gray

Gray/Gray



Orange/Gray

## Fabric colours (100% polyester)



Black (BL)

Gray (G)

Red (R)

Blue (B)



Green (G)



Orange (O)

## Frame finishes



Black (BL)

Silver (SSL)

\*Finishes may differ slightly from images shown - samples can be provided on request

## Material information

Material type	Chair component	Recycled content	Recyclable after use
Plastic (28.2%)	<ul style="list-style-type: none"> <li>• Lumbar support</li> <li>• Seat frame</li> <li>• Back inner</li> <li>• Back outer frame</li> <li>• Armrests</li> <li>• Casters</li> </ul>	0%	<b>99.4% Recyclable</b>
Steel (39.9%)	<ul style="list-style-type: none"> <li>• Screws and bolts</li> <li>• Seat mechanism</li> <li>• Gas lift and support</li> <li>• Back bracket</li> <li>• Frame</li> </ul>	0%	
Foam (3.9%)	<ul style="list-style-type: none"> <li>• PU seat foam</li> <li>• Armrest handles</li> </ul>	0%	
Upholstery (0.6%)	<ul style="list-style-type: none"> <li>• PU seat foam</li> <li>• Armrest handles</li> </ul>	0%	

## Packaged dimensions and weights

### Bodyflex chair with arms

- Box: 22.5 x 26.4 x 31.2 inch    Weight: 48.3 lbs

### Bodyflex chair without arms

- Box: 22.5 x 26.4 x 31.2 inch    Weight: 46.1 lbs

## Chair weights (total net weight)

### Bodyflex chair with arms

40.6 lbs

### Bodyflex chair without arms

38.4 lbs

## Container information

### Bodyflex chair with arms

20' = 134 pcs

40' = 252 pcs

40' HQ = 334 pcs

### Bodyflex chair without arms

20' = 134 pcs

40' = 252 pcs

40' HQ = 334 pcs

## Contact info

72 Hillside Drive  
Drums, PA 18222  
USA

(570) 788 0888  
joe@muzo-works.com

[muzo-works.com](http://muzo-works.com)